

---

# MPS1

---

VYSOKÝ VÝKON MONOLITNÍ SK VRTÁK

---



# MPS1

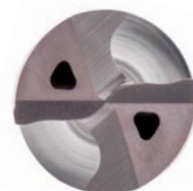
## VÝKONNÝ MONOLITNÍ SK VRTÁK



LxDC 3 – 8

### PEVNÝ BŘIT

Pro výkonné vrtání



LxDC 10 – 40  
LxDC 2 (PC)

### OPTIMALIZOVANÁ GEOMETRIE

Pro vrtání extra hlubokých děr a optimální kvalitu díry

### DP1021

Nová technologie povlakování ALTiCrN PVD zajišťuje dlouhou životnost nástroje zvláště při vysokých rychlostech vrtání a posuvu.

### PŘESNOST

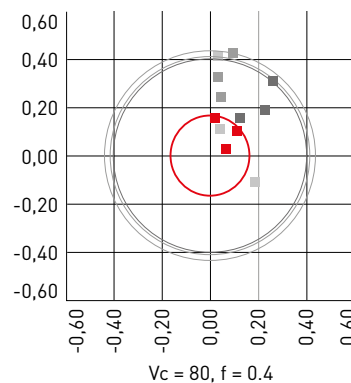
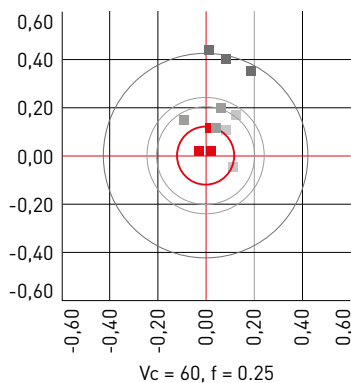
Dvojitá fazetka napomáhá vytvoření vysoce kvalitního povrchu otvoru.



- Zvýšení objemu řezné kapaliny
- Optimalizované proudění u fazetky
- Rychlejší odvod třísky

### STABILITA (ANALÝZA CAE)

Mimořádně dlouhý vrták MPS1 dosahuje o 20 % vyšší pevnosti v ohybu optimalizací průměru jádra a úhlu stoupání šroubovice.



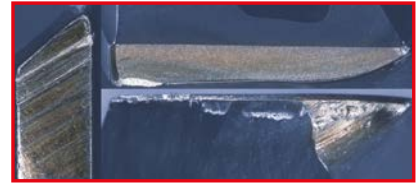
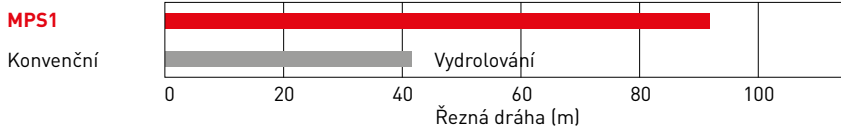
■ Nástroj Mitsubishi Materials  
■ Konvenční A ■ Konvenční B ■ Konvenční C

# PŘÍKLADY POUŽITÍ

## ŽIVOTNOST TESTOVANÉHO NÁSTROJE Ø8 MM PŘI STANDARDNÍCH ŘEZNÝCH PODMÍNKÁCH

Obráběný materiál	DIN C50
Hloubka otvoru (mm)	40
Vc (m/min)	120
f (mm/ot.)	0.25
Řezná kapalina	W.S.O.
Obráběcí stroj	Vertikální obráb. centrum

Výsledek Životnost nástroje MPS1 byla 2.5x delší.



MPS1

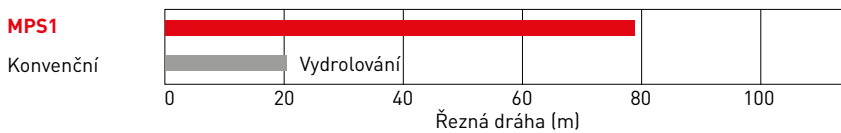


Konvenční

## ŽIVOTNOST TESTOVANÉHO NÁSTROJE Ø8 MM PŘI VYSOKÉ ŘEZNÉ RYCHLOSTI

Obráběný materiál	DIN C50
Hloubka otvoru (mm)	40
Vc (m/min)	200
f (mm/ot.)	0.35
Řezná kapalina	W.S.O.
Obráběcí stroj	Vertikální obráb. centrum

Výsledek Životnost nástroje MPS1 byla 4x delší.



MPS1

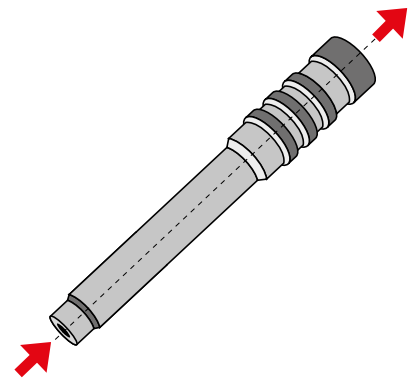
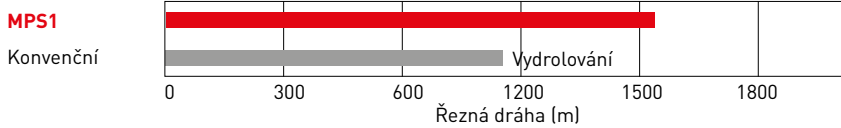


Konvenční

# MIMOŘÁDNĚ DLOUHÉ VRTÁKY

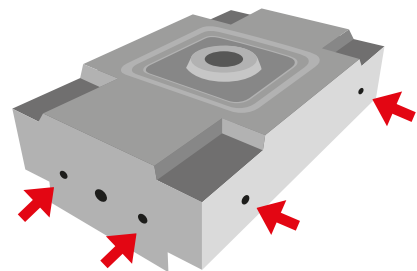
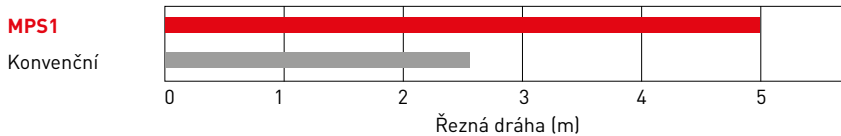
## VRTÁNÍ PRŮCHOZÍHO OTVORU

Nástroj	MPS1-0380-L12C
Obráběný materiál	115MnPb30
Hloubka díry	45 (12 l/d)
Vc (m/min)	75
f (mm/ot.)	0.135
Obráběcí stroj	Dlouhotočný automat.
Výsledek	Životnost nástroje MPS1 byla o 36 % delší.



## VRTÁNÍ CHLADICÍCH KANÁLKŮ

Nástroj	MPS1-0800-L30C
Obráběný materiál	CR7 V-L (ocel tvářená za studena, 1 130 N/mm <sup>2</sup> )
Hloubka díry	250 (30 l/d)
Vc (m/min)	120
f (mm/ot.)	0.35
Obráběcí stroj	Horizontální obráběcí centrum
Výsledek	Životnost nástroje MPS1 byla 2x delší. Osová rovnost menší než 0,15 mm.



# MPS1

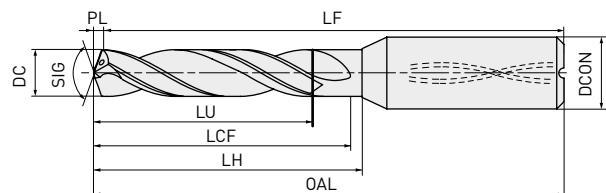
## MONOLITNÍ SK VRTÁK



**P** **M** **K**

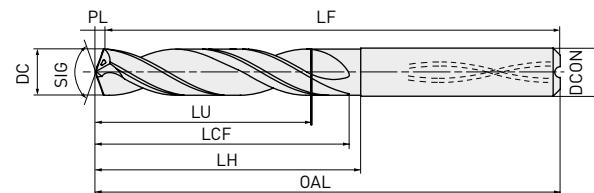


### 1 Válcová stopka s kuželovým krčkem



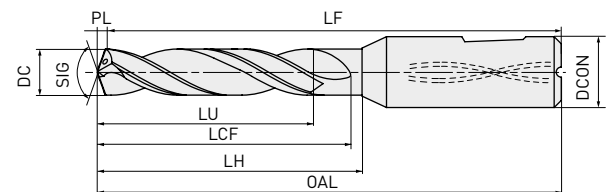
MPS1----S/L-DIN-C/L8C -L40C

### 2 Válcová stopka



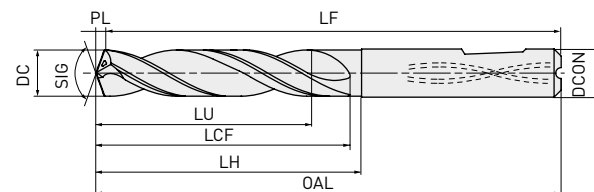
MPS1----S/L-DIN-C/L8C -L40C

### 3 Stopka s Whistle ploškou a kuželovým krčkem



MPS1----S/L-DIN (Whistle ploškou)

### 4 Stopka s Whistle ploškou



MPS1----S/L-DIN (Whistle ploškou)

1. Otvory pro chladicí kapalinu u vrtáků S-DIN (C) a L-DIN (C) a L8C vrtáky s kulatými otvory pro chladicí kapalinu do DC 6 mm.
2. Otvory pro chladicí kapalinu od L10C do L40C vrtáky s kulatými otvory pro chladicí kapalinu do DC 4,9 mm.
3. SIG : l/d 3-5, 10-40 = 140°, 8 = 135°, PC = 145°

	3≤DC≤6	6<DC≤10	10<DC≤18	18<DC≤20
DC Tolerance (DIN /PC) mm	+0.010 -0.002	+0.010 -0.005	+0.005 -0.013	+0.005 -0.016
DC Tolerance [L_C] mm	0 -0.012	0 -0.015	0 -0.018	0 -0.021
DCON Tolerance mm	0 -0.008	0 -0.009	0 -0.011	0 -0.013

Objednáací číslo	DC	(l/d)	OAL	LU	LCF	LH	LF	PL	DCON	DP1021	Typ
MPS1-0300S-DIN	3	3	62	15.0	20	26	61.5	0.5	6	□	3
MPS1-0300S-DIN-C		3	62	15.0	20	26	61.5	0.5	6	●	1
MPS1-0300L-DIN		5	66	20.0	25	30	65.5	0.5	6	□	3
MPS1-0300L-DIN-C		5	66	20.0	25	30	65.5	0.5	6	●	1
MPS1-0300-PC		2	55	6.5	16.5	19.22	55	0.5	6	●	1
MPS1-0300-L8C		8	77	24.6	34	41	76	0.5	6	●	1
MPS1-0300-L10C		10	80	30.5	37.5	43	79	0.5	6	●	1
MPS1-0300-L12C		12	86	36.5	43.5	49	85	0.5	6	●	1
MPS1-0300-L15C		15	95	45.5	52.5	58	94	0.5	6	●	1
MPS1-0300-L20C		20	110	60.5	67.5	73	109	0.5	6	●	1
MPS1-0300-L25C		25	125	75.5	82.5	88	124	0.5	6	●	1
MPS1-0300-L30C		30	140	90.5	97.5	103	139	0.5	6	●	1
MPS1-0300-L35C		35	159	105.5	113.5	122	158	0.5	6	□	1
MPS1-0300-L40C		40	174	120.5	128.5	137	173	0.5	6	●	1

● : Udržováno na skladě. ★ : Udržováno na skladě v Japonsku. □ : Vyrábí se pouze na objednávku

# MPS1

## MONOLITNÍ SK VRTÁK

Objednáací číslo	DC	(l/d)	OAL	LU	LCF	LH	LF	PL	DCON	DP1021	Typ	
MPS1-0305S-DIN	3.05	3	62	15.0	20	26	61.4	0.6	6	□	3	
MPS1-0305S-DIN-C		3	62	15.0	20	26	61.4	0.6	6	●	1	
MPS1-0305L-DIN		5	66	20.0	25	30	65.4	0.6	6	□	3	
MPS1-0305L-DIN-C		5	66	20.0	25	30	65.4	0.6	6	●	1	
MPS1-0310S-DIN	3.1	3	62	14.9	20	26	61.4	0.6	6	□	3	
MPS1-0310S-DIN-C		3	62	14.9	20	26	61.4	0.6	6	●	1	
MPS1-0310L-DIN		5	66	19.9	25	30	65.4	0.6	6	□	3	
MPS1-0310L-DIN-C		5	66	19.9	25	30	65.4	0.6	6	●	1	
MPS1-0310-PC		2	55	6.7	18.5	21.11	55	0.5	6	●	1	
MPS1-0310-L8C		8	83	25.4	40	47	82	0.6	6	●	1	
MPS1-0310-L10C		10	87	31.6	44.6	50	86	0.6	6	□	1	
MPS1-0310-L12C		12	94	37.8	51.6	57	93	0.6	6	●	1	
MPS1-0310-L15C		15	104	47.1	61.6	67	103	0.6	6	●	1	
MPS1-0310-L20C		20	122	62.6	79.6	85	121	0.6	6	●	1	
MPS1-0310-L25C		25	139	78.1	96.6	102	138	0.6	6	●	1	
MPS1-0310-L30C		30	157	93.6	114.6	120	156	0.6	6	●	1	
MPS1-0310-L35C		35	176	109.1	123.6	139	175	0.6	6	□	1	
MPS1-0310-L40C		40	191	124.6	138.6	154	190	0.6	6	●	1	
MPS1-0320S-DIN		3.2	3	62	14.8	20	26	61.4	0.6	6	□	3
MPS1-0320S-DIN-C			3	62	14.8	20	26	61.4	0.6	6	●	1
MPS1-0320L-DIN	5		66	19.8	25	30	65.4	0.6	6	□	3	
MPS1-0320L-DIN-C	5		66	19.8	25	30	65.4	0.6	6	●	1	
MPS1-0320-PC	2		56	6.9	18.5	22	55	0.5	6	●	1	
MPS1-0320-L8C	8		83	26.3	40	47	82	0.6	6	●	1	
MPS1-0320-L10C	10		87	32.6	44.6	50	86	0.6	6	□	1	
MPS1-0320-L12C	12		94	39	51.6	57	93	0.6	6	●	1	
MPS1-0320-L15C	15		104	48.6	61.6	67	103	0.6	6	●	1	
MPS1-0320-L20C	20		122	64.6	79.6	85	121	0.6	6	●	1	
MPS1-0320-L25C	25		139	80.6	96.6	102	138	0.6	6	●	1	
MPS1-0320-L30C	30		157	96.6	114.6	120	156	0.6	6	●	1	
MPS1-0320-L35C	35		176	112.6	123.6	139	175	0.6	6	□	1	
MPS1-0320-L40C	40		191	128.6	138.6	154	190	0.6	6	●	1	
MPS1-0330S-DIN	3.3		3	62	14.7	20	26	61.4	0.6	6	□	3
MPS1-0330S-DIN-C			3	62	14.7	20	26	61.4	0.6	6	●	1
MPS1-0330L-DIN		5	66	20.2	25	30	65.4	0.6	6	□	3	
MPS1-0330L-DIN-C		5	66	20.2	25	30	65.4	0.6	6	●	1	
MPS1-0330-PC		2	56	7.1	18.5	21.9	55	0.5	6	●	1	
MPS1-0330-L8C		8	83	27.1	40	47	82	0.6	6	●	1	
MPS1-0330-L10C		10	87	33.6	44.6	50	86	0.6	6	□	1	
MPS1-0330-L12C		12	94	40.2	51.6	57	93	0.6	6	●	1	
MPS1-0330-L15C		15	104	50.1	61.6	67	103	0.6	6	●	1	
MPS1-0330-L20C		20	122	66.6	79.6	85	121	0.6	6	●	1	
MPS1-0330-L25C		25	139	83.1	96.6	102	138	0.6	6	●	1	
MPS1-0330-L30C		30	157	99.6	114.6	120	156	0.6	6	●	1	
MPS1-0330-L35C		35	176	116.1	132.6	139	175	0.6	6	□	1	
MPS1-0330-L40C		40	191	132.6	148.6	154	190	0.6	6	●	1	

# MPS1

## MONOLITNÍ SK VRTÁK

Objednáací číslo	DC	(l/d)	OAL	LU	LCF	LH	LF	PL	DCON	DP1021	Typ
MPS1-0340S-DIN	3.4	3	62	14.5	20	26	61.4	0.6	6	□	3
MPS1-0340S-DIN-C		3	62	14.5	20	26	61.4	0.6	6	●	1
MPS1-0340L-DIN		5	66	20.0	25	30	65.4	0.6	6	□	3
MPS1-0340L-DIN-C		5	66	20.0	25	30	65.4	0.6	6	●	1
MPS1-0340-PC		2	56	7.3	18.5	21.79	55	0.5	6	●	1
MPS1-0340-L8C		8	83	27.9	40	47	82	0.6	6	●	1
MPS1-0340-L10C		10	87	34.6	44.6	50	86	0.6	6	□	1
MPS1-0340-L12C		12	94	41.4	51.6	57	93	0.6	6	●	1
MPS1-0340-L15C		15	104	51.6	61.6	67	103	0.6	6	●	1
MPS1-0340-L20C		20	122	68.6	79.6	85	121	0.6	6	●	1
MPS1-0340-L25C		25	139	85.6	96.6	102	138	0.6	6	●	1
MPS1-0340-L30C		30	157	102.6	114.6	120	156	0.6	6	●	1
MPS1-0340-L35C		35	176	119.6	132.6	139	175	0.6	6	□	1
MPS1-0340-L40C		40	191	136.6	148.6	154	190	0.6	6	●	1
MPS1-0350S-DIN	3.5	3	62	14.4	20	26	61.4	0.6	6	□	3
MPS1-0350S-DIN-C		3	62	14.4	20	26	61.4	0.6	6	●	1
MPS1-0350L-DIN		5	66	19.9	25	30	65.4	0.6	6	□	3
MPS1-0350L-DIN-C		5	66	19.9	25	30	65.4	0.6	6	●	1
MPS1-0350-PC		2	56	7.6	18.6	21.68	55	0.6	6	●	1
MPS1-0350-L8C		8	83	28.7	40	47	82	0.6	6	●	1
MPS1-0350-L10C		10	87	35.6	44.6	50	86	0.6	6	□	1
MPS1-0350-L12C		12	94	42.6	51.6	57	93	0.6	6	●	1
MPS1-0350-L15C		15	104	53.1	61.6	67	103	0.6	6	●	1
MPS1-0350-L20C		20	122	70.6	79.6	85	121	0.6	6	●	1
MPS1-0350-L25C		25	139	88.1	96.6	102	138	0.6	6	●	1
MPS1-0350-L30C		30	157	105.6	114.6	120	156	0.6	6	●	1
MPS1-0350-L35C		35	176	123.1	132.6	139	175	0.6	6	□	1
MPS1-0350-L40C		40	191	140.6	148.6	154	190	0.6	6	●	1
MPS1-0360S-DIN	3.6	3	62	14.3	20	26	61.3	0.7	6	□	3
MPS1-0360S-DIN-C		3	62	14.3	20	26	61.3	0.7	6	●	1
MPS1-0360L-DIN		5	66	19.8	25	30	65.3	0.7	6	□	3
MPS1-0360L-DIN-C		5	66	19.8	25	30	65.3	0.7	6	●	1
MPS1-0360-PC		2	56	7.8	20.6	23.57	55	0.6	6	●	1
MPS1-0360-L8C		8	88	29.5	45	51	87	0.7	6	●	1
MPS1-0360-L10C		10	93	36.7	50.7	56	92	0.7	6	□	1
MPS1-0360-L12C		12	101	43.9	58.7	64	100	0.7	6	●	1
MPS1-0360-L15C		15	113	54.7	70.7	76	112	0.7	6	●	1
MPS1-0360-L20C		20	133	72.7	90.7	96	132	0.7	6	●	1
MPS1-0360-L25C		25	153	90.7	110.7	116	152	0.7	6	□	1
MPS1-0360-L30C		30	173	108.7	130.7	136	172	0.7	6	●	1
MPS1-0360-L35C		35	193	126.7	143.7	156	192	0.7	6	□	1
MPS1-0360-L40C		40	213	144.7	160.7	176	212	0.7	6	●	1

# MPS1

## MONOLITNÍ SK VRTÁK

Objednáací číslo	DC	(l/d)	OAL	LU	LCF	LH	LF	PL	DCON	DP1021	Typ	
MPS1-0370S-DIN	3.7	3	62	14.1	20	26	61.3	0.7	6	□	3	
MPS1-0370S-DIN-C		3	62	14.1	20	26	61.3	0.7	6	●	1	
MPS1-0370L-DIN		5	66	20.1	26	30	65.3	0.7	6	□	3	
MPS1-0370L-DIN-C		5	66	20.1	26	30	65.3	0.7	6	●	1	
MPS1-0370-PC		2	56	8	20.6	23.47	55	0.6	6	●	1	
MPS1-0370-L8C		8	88	30.4	45	51	87	0.7	6	●	1	
MPS1-0370-L10C		10	93	37.7	50.7	56	92	0.7	6	□	1	
MPS1-0370-L12C		12	101	45.1	58.7	64	100	0.7	6	●	1	
MPS1-0370-L15C		15	113	56.2	70.7	76	112	0.7	6	●	1	
MPS1-0370-L20C		20	133	74.7	90.7	96	132	0.7	6	●	1	
MPS1-0370-L25C		25	153	93.2	110.7	116	152	0.7	6	●	1	
MPS1-0370-L30C		30	173	111.7	130.7	136	172	0.7	6	●	1	
MPS1-0370-L35C		35	193	130.2	143.7	156	192	0.7	6	□	1	
MPS1-0370-L40C		40	213	148.7	160.7	176	212	0.7	6	●	1	
MPS1-0380S-DIN		3.8	3	66	18.0	24	30	65.3	0.7	6	□	3
MPS1-0380S-DIN-C			3	66	18.0	24	30	65.3	0.7	6	●	1
MPS1-0380L-DIN	5		74	28.0	34	38	73.3	0.7	6	□	3	
MPS1-0380L-DIN-C	5		74	28.0	34	38	73.3	0.7	6	●	1	
MPS1-0380-PC	2		56	8.2	20.6	23.36	55	0.6	6	●	1	
MPS1-0380-L8C	8		88	31.2	45	51	87	0.7	6	●	1	
MPS1-0380-L10C	10		93	38.7	50.7	56	92	0.7	6	□	1	
MPS1-0380-L12C	12		101	46.3	58.7	64	100	0.7	6	●	1	
MPS1-0380-L15C	15		113	57.7	70.7	76	112	0.7	6	●	1	
MPS1-0380-L20C	20		133	76.7	90.7	96	132	0.7	6	●	1	
MPS1-0380-L25C	25		153	95.7	110.7	116	152	0.7	6	●	1	
MPS1-0380-L30C	30		173	114.7	130.7	136	172	0.7	6	●	1	
MPS1-0380-L35C	35		193	133.7	150.7	156	192	0.7	6	□	1	
MPS1-0380-L40C	40		213	152.7	170.7	176	212	0.7	6	●	1	
MPS1-0390S-DIN	3.9		3	66	17.9	24	30	65.3	0.7	6	□	3
MPS1-0390S-DIN-C			3	66	17.9	24	30	65.3	0.7	6	●	1
MPS1-0390L-DIN		5	74	27.9	34	38	73.3	0.7	6	□	3	
MPS1-0390L-DIN-C		5	74	27.9	34	38	73.3	0.7	6	●	1	
MPS1-0390-PC		2	56	8.4	20.6	23.25	55	0.6	6	●	1	
MPS1-0390-L8C		8	88	32.0	45	51	87	0.7	6	●	1	
MPS1-0390-L10C		10	93	39.7	50.7	56	92	0.7	6	□	1	
MPS1-0390-L12C		12	101	47.5	58.7	64	100	0.7	6	●	1	
MPS1-0390-L15C		15	113	59.2	70.7	76	112	0.7	6	●	1	
MPS1-0390-L20C		20	133	78.7	90.7	96	132	0.7	6	●	1	
MPS1-0390-L25C		25	153	98.2	110.7	116	152	0.7	6	□	1	
MPS1-0390-L30C		30	173	117.7	130.7	136	172	0.7	6	●	1	
MPS1-0390-L35C		35	193	137.2	150.7	156	192	0.7	6	□	1	
MPS1-0390-L40C		40	213	156.7	170.7	176	212	0.7	6	●	1	



# MPS1

## MONOLITNÍ SK VRTÁK

Objednáací číslo	DC	(l/d)	OAL	LU	LCF	LH	LF	PL	DCON	DP1021	Typ	
MPS1-0400S-DIN	4	3	66	17.7	24	30	65.3	0.7	6	□	3	
MPS1-0400S-DIN-C		3	66	17.7	24	30	65.3	0.7	6	●	1	
MPS1-0400L-DIN		5	74	27.7	34	38	73.3	0.7	6	□	3	
MPS1-0400L-DIN-C		5	74	27.7	34	38	73.3	0.7	6	●	1	
MPS1-0400-PC		2	56	8.6	20.6	23.14	55	0.6	6	●	1	
MPS1-0400-L8C		8	88	32.8	45	51	87	0.7	6	●	1	
MPS1-0400-L10C		10	93	40.7	50.7	56	92	0.7	6	●	1	
MPS1-0400-L12C		12	101	48.7	58.7	64	100	0.7	6	●	1	
MPS1-0400-L15C		15	113	60.7	70.7	76	112	0.7	6	●	1	
MPS1-0400-L20C		20	133	80.7	90.7	96	132	0.7	6	●	1	
MPS1-0400-L25C		25	153	100.7	110.7	116	152	0.7	6	●	1	
MPS1-0400-L30C		30	173	120.7	130.7	136	172	0.7	6	●	1	
MPS1-0400-L35C		35	193	140.7	150.7	156	192	0.7	6	□	1	
MPS1-0400-L40C		40	213	160.7	170.7	176	212	0.7	6	●	1	
MPS1-0405S-DIN		4.05	3	66	17.7	24	30	65.3	0.7	6	□	3
MPS1-0405S-DIN-C			3	66	17.7	24	30	65.3	0.7	6	●	1
MPS1-0405L-DIN	5		74	27.7	34	38	73.3	0.7	6	□	3	
MPS1-0405L-DIN-C	5		74	27.7	34	38	73.3	0.7	6	●	1	
MPS1-0410S-DIN	4.1	3	66	17.6	24	30	65.3	0.7	6	□	3	
MPS1-0410S-DIN-C		3	66	17.6	24	30	65.3	0.7	6	●	1	
MPS1-0410L-DIN		5	74	27.6	34	38	73.3	0.7	6	□	3	
MPS1-0410L-DIN-C		5	74	27.6	34	38	73.3	0.7	6	●	1	
MPS1-0410-PC		2	63	8.8	22.6	25.04	62	0.6	6	●	1	
MPS1-0410-L8C		8	93	33.6	51	56	92	0.7	6	●	1	
MPS1-0410-L10C		10	100	41.7	58.7	63	99	0.7	6	□	1	
MPS1-0410-L12C		12	109	49.9	67.7	72	108	0.7	6	●	1	
MPS1-0410-L15C		15	122	62.2	80.7	85	121	0.7	6	●	1	
MPS1-0410-L20C		20	145	82.7	103.7	108	144	0.7	6	●	1	
MPS1-0410-L25C		25	167	103.2	125.7	130	166	0.7	6	●	1	
MPS1-0410-L30C		30	190	123.7	148.7	153	189	0.7	6	●	1	
MPS1-0410-L35C		35	212	144.2	164.7	175	211	0.7	6	□	1	
MPS1-0410-L40C		40	236	164.7	184.7	199	235	0.7	6	●	1	
MPS1-0420S-DIN		4.2	3	66	17.5	24	30	65.2	0.8	6	□	3
MPS1-0420S-DIN-C			3	66	17.5	24	30	65.2	0.8	6	●	1
MPS1-0420L-DIN	5		74	28.0	34	38	73.2	0.8	6	□	3	
MPS1-0420L-DIN-C	5		74	28.0	34	38	73.2	0.8	6	●	1	
MPS1-0420-PC	2		63	9.1	22.7	24.93	62	0.7	6	●	1	
MPS1-0420-L8C	8		93	34.5	51	56	92	0.8	6	●	1	
MPS1-0420-L10C	10		100	42.8	58.8	63	99	0.8	6	□	1	
MPS1-0420-L12C	12		109	51.2	67.8	72	108	0.8	6	●	1	
MPS1-0420-L15C	15		122	63.8	80.8	85	121	0.8	6	●	1	
MPS1-0420-L20C	20		145	84.8	103.8	108	144	0.8	6	●	1	
MPS1-0420-L25C	25		167	105.8	125.8	130	166	0.8	6	●	1	
MPS1-0420-L30C	30		190	126.8	148.8	153	189	0.8	6	●	1	
MPS1-0420-L35C	35		212	147.8	164.8	175	211	0.8	6	●	1	
MPS1-0420-L40C	40		236	168.8	184.8	199	235	0.8	6	●	1	

# MPS1

## MONOLITNÍ SK VRTÁK

Objednáací číslo	DC	(l/d)	OAL	LU	LCF	LH	LF	PL	DCON	DP1021	Typ
MPS1-0430S-DIN	4.3	3	66	17.3	24	30	65.2	0.8	6	□	3
MPS1-0430S-DIN-C		3	66	17.3	24	30	65.2	0.8	6	●	1
MPS1-0430L-DIN		5	74	27.8	34	38	73.2	0.8	6	□	3
MPS1-0430L-DIN-C		5	74	27.8	34	38	73.2	0.8	6	●	1
MPS1-0430-PC		2	63	9.3	22.7	24.82	62	0.7	6	●	1
MPS1-0430-L8C		8	93	35.3	51	56	92	0.8	6	●	1
MPS1-0430-L10C		10	100	43.8	58.8	63	99	0.8	6	□	1
MPS1-0430-L12C		12	109	52.4	67.8	72	108	0.8	6	●	1
MPS1-0430-L15C		15	122	65.3	80.8	85	121	0.8	6	●	1
MPS1-0430-L20C		20	145	86.8	103.8	108	144	0.8	6	●	1
MPS1-0430-L25C		25	167	108.3	125.8	130	166	0.8	6	●	1
MPS1-0430-L30C		30	190	129.8	148.8	153	189	0.8	6	●	1
MPS1-0430-L35C		35	212	151.3	170.8	175	211	0.8	6	□	1
MPS1-0430-L40C		40	236	172.8	194.8	199	235	0.8	6	●	1
MPS1-0440S-DIN	4.4	3	66	17.2	24	30	65.2	0.8	6	□	3
MPS1-0440S-DIN-C		3	66	17.2	24	30	65.2	0.8	6	●	1
MPS1-0440L-DIN		5	74	27.7	34	38	73.2	0.8	6	□	3
MPS1-0440L-DIN-C		5	74	27.7	34	38	73.2	0.8	6	●	1
MPS1-0440-PC		2	63	9.5	22.7	24.72	62	0.7	6	●	1
MPS1-0440-L8C		8	93	36.1	51	56	92	0.8	6	●	1
MPS1-0440-L10C		10	100	44.8	58.8	63	99	0.8	6	□	1
MPS1-0440-L12C		12	109	53.6	67.8	72	108	0.8	6	●	1
MPS1-0440-L15C		15	122	66.8	80.8	85	121	0.8	6	●	1
MPS1-0440-L20C		20	145	88.8	103.8	108	144	0.8	6	□	1
MPS1-0440-L25C		25	167	110.8	125.8	130	166	0.8	6	□	1
MPS1-0440-L30C		30	190	132.8	148.8	153	189	0.8	6	□	1
MPS1-0440-L35C		35	212	154.8	170.8	175	211	0.8	6	□	1
MPS1-0440-L40C		40	236	176.8	194.8	199	235	0.8	6	●	1
MPS1-0450S-DIN	4.5	3	66	17.1	24	30	65.2	0.8	6	□	3
MPS1-0450S-DIN-C		3	66	17.1	24	30	65.2	0.8	6	●	1
MPS1-0450L-DIN		5	74	27.6	34	38	73.2	0.8	6	□	3
MPS1-0450L-DIN-C		5	74	27.6	34	38	73.2	0.8	6	●	1
MPS1-0450-PC		2	63	9.7	22.7	24.61	62	0.7	6	●	1
MPS1-0450-L8C		8	93	36.9	51	56	92	0.8	6	●	1
MPS1-0450-L10C		10	100	45.8	58.8	63	99	0.8	6	□	1
MPS1-0450-L12C		12	109	54.8	67.8	72	108	0.8	6	●	1
MPS1-0450-L15C		15	122	68.3	80.8	85	121	0.8	6	●	1
MPS1-0450-L20C		20	145	90.8	103.8	108	144	0.8	6	●	1
MPS1-0450-L25C		25	167	113.3	125.8	130	166	0.8	6	●	1
MPS1-0450-L30C		30	190	135.8	148.8	153	189	0.8	6	●	1
MPS1-0450-L35C		35	212	158.3	170.8	175	211	0.8	6	□	1
MPS1-0450-L40C		40	236	180.8	194.8	199	235	0.8	6	●	1

# MPS1

## MONOLITNÍ SK VRTÁK

Objednáací číslo	DC	(l/d)	OAL	LU	LCF	LH	LF	PL	DCON	DP1021	Typ
MPS1-0460S-DIN	4.6	3	66	16.9	24	30	65.2	0.8	6	□	4
MPS1-0460S-DIN-C		3	66	16.9	24	30	65.2	0.8	6	●	2
MPS1-0460L-DIN		5	74	28.9	36	38	73.2	0.8	6	□	4
MPS1-0460L-DIN-C		5	74	28.9	36	38	73.2	0.8	6	●	2
MPS1-0460-PC		2	63	9.9	24.7	28	62	0.7	6	●	2
MPS1-0460-L8C		8	96	37.8	55	59	95	0.8	6	●	2
MPS1-0460-L10C		10	106	46.8	65.8	69	105	0.8	6	□	2
MPS1-0460-L12C		12	116	56	75.8	79	115	0.8	6	●	2
MPS1-0460-L15C		15	131	69.8	90.8	94	130	0.8	6	●	2
MPS1-0460-L20C		20	156	92.8	115.8	119	155	0.8	6	●	2
MPS1-0460-L25C		25	181	115.8	140.8	144	180	0.8	6	●	2
MPS1-0460-L30C		30	206	138.8	165.8	169	205	0.8	6	●	2
MPS1-0460-L35C		35	230	161.8	184.8	193	229	0.8	6	□	2
MPS1-0460-L40C		40	255	184.8	204.8	218	254	0.8	6	●	2
MPS1-0465S-DIN	4.65	3	66	16.9	24	30	65.2	0.8	6	□	4
MPS1-0465S-DIN-C		3	66	16.9	24	30	65.2	0.8	6	●	2
MPS1-0465L-DIN		5	74	28.9	36	38	73.2	0.8	6	□	4
MPS1-0465L-DIN-C		5	74	28.9	36	38	73.2	0.8	6	●	2
MPS1-0470S-DIN	4.7	3	66	16.8	24	30	65.1	0.9	6	□	4
MPS1-0470S-DIN-C		3	66	16.8	24	30	65.1	0.9	6	●	2
MPS1-0470L-DIN		5	74	28.8	36	38	73.1	0.9	6	□	4
MPS1-0470L-DIN-C		5	74	28.8	36	38	73.1	0.9	6	●	2
MPS1-0470-PC		2	63	10.1	24.7	28	62	0.7	6	●	2
MPS1-0470-L8C		8	96	38.6	55	59	95	0.9	6	●	2
MPS1-0470-L10C		10	106	47.9	65.9	69	105	0.9	6	□	2
MPS1-0470-L12C		12	116	57.3	75.9	79	115	0.9	6	●	2
MPS1-0470-L15C		15	131	71.4	90.9	94	130	0.9	6	●	2
MPS1-0470-L20C		20	156	94.9	115.9	119	155	0.9	6	●	2
MPS1-0470-L25C		25	181	118.4	140.9	144	180	0.9	6	●	2
MPS1-0470-L30C		30	206	141.9	165.9	169	205	0.9	6	●	2
MPS1-0470-L35C		35	230	165.4	184.9	193	229	0.9	6	□	2
MPS1-0470-L40C		40	255	188.9	204.9	218	254	0.9	6	●	2
MPS1-0480S-DIN	4.8	3	66	20.7	28	30	65.1	0.9	6	□	4
MPS1-0480S-DIN-C		3	66	20.7	28	30	65.1	0.9	6	●	2
MPS1-0480L-DIN		5	82	36.7	44	46	81.1	0.9	6	□	4
MPS1-0480L-DIN-C		5	82	36.7	44	46	81.1	0.9	6	●	2
MPS1-0480-PC		2	63	10.4	24.8	28	62	0.8	6	●	2
MPS1-0480-L8C		8	96	39.4	55	59	95	0.9	6	●	2
MPS1-0480-L10C		10	106	48.9	65.9	69	105	0.9	6	□	2
MPS1-0480-L12C		12	116	58.5	75.9	79	115	0.9	6	●	2
MPS1-0480-L15C		15	131	72.9	90.9	94	130	0.9	6	●	2
MPS1-0480-L20C		20	156	96.9	115.9	119	155	0.9	6	●	2
MPS1-0480-L25C		25	181	120.9	140.9	144	180	0.9	6	●	2
MPS1-0480-L30C		30	206	144.9	165.9	169	205	0.9	6	●	2
MPS1-0480-L35C		35	230	168.9	190.9	193	229	0.9	6	□	2
MPS1-0480-L40C		40	255	192.9	215.9	218	254	0.9	6	●	2

# MPS1

## MONOLITNÍ SK VRTÁK

Objednáací číslo	DC	(l/d)	OAL	LU	LCF	LH	LF	PL	DCON	DP1021	Typ	
MPS1-0490S-DIN	4.9	3	66	20.5	28	30	65.1	0.9	6	□	4	
MPS1-0490S-DIN-C		3	66	20.5	28	30	65.1	0.9	6	●	2	
MPS1-0490L-DIN		5	82	36.5	44	46	81.1	0.9	6	□	4	
MPS1-0490L-DIN-C		5	82	36.5	44	46	81.1	0.9	6	●	2	
MPS1-0490-PC		2	63	10.6	24.8	28	62	0.8	6	●	2	
MPS1-0490-L8C		8	96	40.2	55	59	95	0.9	6	●	2	
MPS1-0490-L10C		10	106	49.9	65.9	69	105	0.9	6	□	2	
MPS1-0490-L12C		12	116	59.7	75.9	79	115	0.9	6	●	2	
MPS1-0490-L15C		15	131	74.4	90.9	94	130	0.9	6	●	2	
MPS1-0490-L20C		20	156	98.9	115.9	119	155	0.9	6	□	2	
MPS1-0490-L25C		25	181	123.4	140.9	144	180	0.9	6	●	2	
MPS1-0490-L30C		30	206	147.9	165.9	169	205	0.9	6	●	2	
MPS1-0490-L35C		35	230	172.4	190.9	193	229	0.9	6	□	2	
MPS1-0490-L40C		40	255	196.9	215.9	218	254	0.9	6	●	2	
MPS1-0500S-DIN	5	3	66	20.4	28	30	65.1	0.9	6	□	4	
MPS1-0500S-DIN-C		3	66	20.4	28	30	65.1	0.9	6	●	2	
MPS1-0500L-DIN		5	82	36.4	44	46	81.1	0.9	6	□	4	
MPS1-0500L-DIN-C		5	82	36.4	44	46	81.1	0.9	6	●	2	
MPS1-0500-PC		2	63	10.8	24.8	26	62	0.8	6	●	2	
MPS1-0500-L8C		8	96	41.0	55	59	95	0.9	6	●	2	
MPS1-0500-L10C		10	106	50.9	65.9	69	105	0.9	6	●	2	
MPS1-0500-L12C		12	116	60.9	75.9	79	115	0.9	6	●	2	
MPS1-0500-L15C		15	131	75.9	90.9	94	130	0.9	6	●	2	
MPS1-0500-L20C		20	156	100.9	115.9	119	155	0.9	6	●	2	
MPS1-0500-L25C		25	181	125.9	140.9	144	180	0.9	6	●	2	
MPS1-0500-L30C		30	206	150.9	165.9	169	205	0.9	6	●	2	
MPS1-0500-L35C		35	230	175.9	190.9	193	229	0.9	6	□	2	
MPS1-0500-L40C		40	255	200.9	215.9	218	254	0.9	6	●	2	
MPS1-0505S-DIN	5.05	3	66	20.3	28	30	65.1	0.9	6	□	4	
MPS1-0505S-DIN-C		3	66	20.3	28	30	65.1	0.9	6	●	2	
MPS1-0505L-DIN		5	82	36.3	44	46	81.1	0.9	6	□	4	
MPS1-0505L-DIN-C		5	82	36.3	44	46	81.1	0.9	6	●	2	
MPS1-0510S-DIN		5.1	3	66	20.3	28	30	65.1	0.9	6	□	4
MPS1-0510S-DIN-C			3	66	20.3	28	30	65.1	0.9	6	●	2
MPS1-0510L-DIN			5	82	36.3	44	46	81.1	0.9	6	□	4
MPS1-0510L-DIN-C			5	82	36.3	44	46	81.1	0.9	6	●	2
MPS1-0510-PC			2	67	11	26.8	29	66	0.8	6	●	2
MPS1-0510-L8C			8	102	41.9	62	65	101	0.9	6	●	2
MPS1-0510-L10C			10	113	51.9	72.9	76	112	0.9	6	□	2
MPS1-0510-L12C			12	124	62.1	83.9	87	123	0.9	6	●	2
MPS1-0510-L15C			15	140	77.4	99.9	103	139	0.9	6	●	2
MPS1-0510-L20C			20	168	102.9	127.9	131	167	0.9	6	●	2
MPS1-0510-L25C	25		195	128.4	154.9	158	194	0.9	6	●	2	
MPS1-0510-L30C	30		223	153.9	182.9	186	222	0.9	6	●	2	
MPS1-0510-L35C	35		249	179.4	203.9	212	248	0.9	6	□	2	
MPS1-0510-L40C	40		279	204.9	230.9	242	278	0.9	6	●	2	

# MPS1

## MONOLITNÍ SK VRTÁK

Objednáací číslo	DC	(l/d)	OAL	LU	LCF	LH	LF	PL	DCON	DP1021	Typ
MPS1-0520S-DIN	5.2	3	66	20.1	28	30	65.1	0.9	6	□	4
MPS1-0520S-DIN-C		3	66	20.1	28	30	65.1	0.9	6	●	2
MPS1-0520L-DIN		5	82	36.1	44	46	81.1	0.9	6	□	4
MPS1-0520L-DIN-C		5	82	36.1	44	46	81.1	0.9	6	●	2
MPS1-0520-PC		2	67	11.2	26.8	29	66	0.8	6	●	2
MPS1-0520-L8C		8	102	42.7	62	65	101	0.9	6	●	2
MPS1-0520-L10C		10	113	52.9	72.9	76	112	0.9	6	□	2
MPS1-0520-L12C		12	124	63.3	83.9	87	123	0.9	6	●	2
MPS1-0520-L15C		15	140	78.9	99.9	103	139	0.9	6	●	2
MPS1-0520-L20C		20	168	104.9	127.9	131	167	0.9	6	●	2
MPS1-0520-L25C		25	195	130.9	154.9	158	194	0.9	6	●	2
MPS1-0520-L30C		30	223	156.9	182.9	186	222	0.9	6	●	2
MPS1-0520-L35C		35	249	182.9	203.9	212	248	0.9	6	□	2
MPS1-0520-L40C		40	279	208.9	230.9	242	278	0.9	6	●	2
MPS1-0530S-DIN	5.3	3	66	20.0	28	30	65	1.0	6	□	4
MPS1-0530S-DIN-C		3	66	20.0	28	30	65	1.0	6	●	2
MPS1-0530L-DIN		5	82	36.0	44	46	81	1.0	6	□	4
MPS1-0530L-DIN-C		5	82	36.0	44	46	81	1.0	6	●	2
MPS1-0530-PC		2	67	11.4	26.8	29	66	0.8	6	●	2
MPS1-0530-L8C		8	102	43.5	62	65	101	1.0	6	●	2
MPS1-0530-L10C		10	113	54	73	76	112	1.0	6	□	2
MPS1-0530-L12C		12	124	64.6	84	87	123	1.0	6	●	2
MPS1-0530-L15C		15	140	80.5	100	103	139	1.0	6	●	2
MPS1-0530-L20C		20	168	107	128	131	167	1.0	6	□	2
MPS1-0530-L25C		25	195	133.5	155	158	194	1.0	6	●	2
MPS1-0530-L30C		30	223	160	183	186	222	1.0	6	●	2
MPS1-0530-L35C		35	249	186.5	210	212	248	1.0	6	□	2
MPS1-0530-L40C		40	279	213	241	242	278	1.0	6	●	2
MPS1-0540S-DIN-C	5.4	3	66	19.9	28	30	65	1.0	6	●	2
MPS1-0540S-DIN		3	66	19.9	28	30	65	1.0	6	□	4
MPS1-0540L-DIN		5	82	35.9	44	46	81	1.0	6	□	4
MPS1-0540L-DIN-C		5	82	35.9	44	46	81	1.0	6	●	2
MPS1-0540-PC		2	67	11.7	26.9	29	66	0.9	6	●	2
MPS1-0540-L8C		8	102	44.3	62	65	101	1.0	6	●	2
MPS1-0540-L10C		10	113	55	73	76	112	1.0	6	□	2
MPS1-0540-L12C		12	124	65.8	84	87	123	1.0	6	●	2
MPS1-0540-L15C		15	140	82	100	103	139	1.0	6	●	2
MPS1-0540-L20C		20	168	109	128	131	167	1.0	6	●	2
MPS1-0540-L25C		25	195	136	155	158	194	1.0	6	□	2
MPS1-0540-L30C		30	223	163	183	186	222	1.0	6	□	2
MPS1-0540-L35C		35	249	190	210	212	248	1.0	6	□	2
MPS1-0540-L40C		40	279	217	241	242	278	1.0	6	●	2

# MPS1

## MONOLITNÍ SK VRTÁK

Objednáací číslo	DC	(l/d)	OAL	LU	LCF	LH	LF	PL	DCON	DP1021	Typ	
MPS1-0550S-DIN	5.5	3	66	19.8	28	30	65	1.0	6	□	4	
MPS1-0550S-DIN-C		3	66	19.8	28	30	65	1.0	6	●	2	
MPS1-0550L-DIN		5	82	35.8	44	46	81	1.0	6	□	4	
MPS1-0550L-DIN-C		5	82	35.8	44	46	81	1.0	6	●	2	
MPS1-0550-PC		2	67	11.9	26.9	29	66	0.9	6	●	2	
MPS1-0550-L8C		8	102	45.1	62	65	101	1.0	6	●	2	
MPS1-0550-L10C		10	113	56	73	76	112	1.0	6	□	2	
MPS1-0550-L12C		12	124	67	84	87	123	1.0	6	●	2	
MPS1-0550-L15C		15	140	83.5	100	103	139	1.0	6	●	2	
MPS1-0550-L20C		20	168	111	128	131	167	1.0	6	●	2	
MPS1-0550-L25C		25	195	138.5	155	158	194	1.0	6	●	2	
MPS1-0550-L30C		30	223	166	183	186	222	1.0	6	●	2	
MPS1-0550-L35C		35	249	193.5	210	212	248	1.0	6	□	2	
MPS1-0550-L40C		40	279	221	241	242	278	1.0	6	●	2	
MPS1-0555S-DIN		5.55	3	66	19.7	28	30	65	1.0	6	□	4
MPS1-0555S-DIN-C			3	66	19.7	28	30	65	1.0	6	●	2
MPS1-0555L-DIN	5		82	35.7	44	46	81	1.0	6	□	4	
MPS1-0555L-DIN-C	5		82	35.7	44	46	81	1.0	6	●	2	
MPS1-0560S-DIN	5.6	3	66	19.6	28	30	65	1.0	6	□	4	
MPS1-0560S-DIN-C		3	66	19.6	28	30	65	1.0	6	●	2	
MPS1-0560L-DIN		5	82	35.6	44	46	81	1.0	6	□	4	
MPS1-0560L-DIN-C		5	82	35.6	44	46	81	1.0	6	●	2	
MPS1-0560-PC		2	67	12.1	28.9	29	66	0.9	6	●	2	
MPS1-0560-L8C		8	107	46.0	67	70	106	1.0	6	●	2	
MPS1-0560-L10C		10	119	57	79	82	118	1.0	6	□	2	
MPS1-0560-L12C		12	131	68.2	91	94	130	1.0	6	●	2	
MPS1-0560-L15C		15	149	85	109	112	148	1.0	6	●	2	
MPS1-0560-L20C		20	179	113	139	142	178	1.0	6	□	2	
MPS1-0560-L25C		25	209	141	169	172	208	1.0	6	□	2	
MPS1-0560-L30C		30	239	169	199	202	238	1.0	6	●	2	
MPS1-0560-L35C		35	268	197	223	231	267	1.0	6	□	2	
MPS1-0560-L40C		40	299	225	251	262	298	1.0	6	●	2	
MPS1-0570S-DIN		5.7	3	66	19.5	28	30	65	1.0	6	□	4
MPS1-0570S-DIN-C			3	66	19.5	28	30	65	1.0	6	●	2
MPS1-0570L-DIN	5		82	35.5	44	46	81	1.0	6	□	4	
MPS1-0570L-DIN-C	5		82	35.5	44	46	81	1.0	6	●	2	
MPS1-0570-PC	2		67	12.3	28.9	29	66	0.9	6	●	2	
MPS1-0570-L8C	8		107	46.8	67	70	106	1.0	6	●	2	
MPS1-0570-L10C	10		119	58	79	82	118	1.0	6	□	2	
MPS1-0570-L12C	12		131	69.4	91	94	130	1.0	6	●	2	
MPS1-0570-L15C	15		149	86.5	109	112	148	1.0	6	●	2	
MPS1-0570-L20C	20		179	115	139	142	178	1.0	6	□	2	
MPS1-0570-L25C	25		209	143.5	169	172	208	1.0	6	●	2	
MPS1-0570-L30C	30		239	172	199	202	238	1.0	6	□	2	
MPS1-0570-L35C	35		268	200.5	223	231	267	1.0	6	□	2	
MPS1-0570-L40C	40		299	229	251	262	298	1.0	6	●	2	

# MPS1

## MONOLITNÍ SK VRTÁK

Objednáací číslo	DC	(l/d)	OAL	LU	LCF	LH	LF	PL	DCON	DP1021	Typ
MPS1-0580S-DIN	5.8	3	66	19.4	28	30	64.9	1.1	6	□	4
MPS1-0580S-DIN-C		3	66	19.4	28	30	64.9	1.1	6	●	2
MPS1-0580L-DIN		5	82	35.4	44	46	80.9	1.1	6	□	4
MPS1-0580L-DIN-C		5	82	35.4	44	46	80.9	1.1	6	●	2
MPS1-0580-PC		2	67	12.5	28.9	29	66	0.9	6	●	2
MPS1-0580-L8C		8	107	47.6	67	70	106	1.1	6	●	2
MPS1-0580-L10C		10	119	59.1	79.1	82	118	1.1	6	□	2
MPS1-0580-L12C		12	131	70.7	91.1	94	130	1.1	6	●	2
MPS1-0580-L15C		15	149	88.1	109.1	112	148	1.1	6	●	2
MPS1-0580-L20C		20	179	117.1	139.1	142	178	1.1	6	●	2
MPS1-0580-L25C		25	209	146.1	169.1	172	208	1.1	6	□	2
MPS1-0580-L30C		30	239	175.1	199.1	202	238	1.1	6	●	2
MPS1-0580-L35C		35	268	204.1	229.1	231	267	1.1	6	□	2
MPS1-0580-L40C		40	299	233.1	261.1	262	298	1.1	6	●	2
MPS1-0590S-DIN	5.9	3	66	19.2	28	30	64.9	1.1	6	□	4
MPS1-0590S-DIN-C		3	66	19.2	28	30	64.9	1.1	6	●	2
MPS1-0590L-DIN		5	82	35.2	44	46	80.9	1.1	6	□	4
MPS1-0590L-DIN-C		5	82	35.2	44	46	80.9	1.1	6	●	2
MPS1-0590-PC		2	67	12.7	28.9	29	66	0.9	6	●	2
MPS1-0590-L8C		8	107	48.4	67	70	106	1.1	6	●	2
MPS1-0590-L10C		10	119	60.1	79.1	82	118	1.1	6	□	2
MPS1-0590-L12C		12	131	71.9	91.1	94	130	1.1	6	●	2
MPS1-0590-L15C		15	149	89.6	109.1	112	148	1.1	6	●	2
MPS1-0590-L20C		20	179	119.1	139.1	142	178	1.1	6	●	2
MPS1-0590-L25C		25	209	148.6	169.1	172	208	1.1	6	●	2
MPS1-0590-L30C		30	239	178.1	199.1	202	238	1.1	6	□	2
MPS1-0590-L35C		35	268	207.6	229.1	231	267	1.1	6	□	2
MPS1-0590-L40C		40	299	237.1	261.1	262	298	1.1	6	●	2
MPS1-0600S-DIN	6	3	66	19.1	28	30	64.9	1.1	6	□	4
MPS1-0600S-DIN-C		3	66	19.1	28	30	64.9	1.1	6	●	2
MPS1-0600L-DIN		5	82	35.1	44	46	80.9	1.1	6	□	4
MPS1-0600L-DIN-C		5	82	35.1	44	46	80.9	1.1	6	●	2
MPS1-0600-PC		2	67	12.9	28.9	29	66	0.9	6	●	2
MPS1-0600-L8C		8	107	49.2	67	70	106	1.1	6	●	2
MPS1-0600-L10C		10	119	61.1	79.1	82	118	1.1	6	●	2
MPS1-0600-L12C		12	131	73.1	91.1	94	130	1.1	6	●	2
MPS1-0600-L15C		15	149	91.1	109.1	112	148	1.1	6	●	2
MPS1-0600-L20C		20	179	121.1	139.1	142	178	1.1	6	●	2
MPS1-0600-L25C		25	209	151.1	169.1	172	208	1.1	6	●	2
MPS1-0600-L30C		30	239	181.1	199.1	202	238	1.1	6	●	2
MPS1-0600-L35C		35	268	211.1	229.1	231	267	1.1	6	□	2
MPS1-0600-L40C		40	299	241.1	261.1	262	298	1.1	6	●	2
MPS1-0605S-DIN	6.05	3	79	25.0	34	43	77.9	1.1	8	□	4
MPS1-0605S-DIN-C		3	79	25.0	34	43	77.9	1.1	8	●	2
MPS1-0605L-DIN		5	91	44.0	53	55	89.9	1.1	8	□	4
MPS1-0605L-DIN-C		5	91	44.0	53	55	89.9	1.1	8	●	2

# MPS1

## MONOLITNÍ SK VRTÁK

Objednáací číslo	DC	(l/d)	OAL	LU	LCF	LH	LF	PL	DCON	DP1021	Typ
MPS1-0610S-DIN	6.1	3	79	25.0	34	43	77.9	1.1	8	□	4
MPS1-0610S-DIN-C		3	79	25.0	34	43	77.9	1.1	8	●	2
MPS1-0610L-DIN		5	91	44.0	53	55	89.9	1.1	8	□	4
MPS1-0610L-DIN-C		5	91	44.0	53	55	89.9	1.1	8	●	2
MPS1-0610-PC		2	75	13.2	32	35	74	1.0	8	●	2
MPS1-0610-L8C		8	113	50.1	73	76	112	1.1	8	●	2
MPS1-0610-L10C		10	126	62.1	86.1	89	125	1.1	8	□	2
MPS1-0610-L12C		12	139	74.3	99.1	102	138	1.1	8	●	2
MPS1-0610-L15C		15	158	92.6	118.1	121	157	1.1	8	●	2
MPS1-0610-L20C		20	191	123.1	151.1	154	190	1.1	8	●	2
MPS1-0610-L25C		25	223	153.6	183.1	186	222	1.1	8	●	2
MPS1-0610-L30C		30	256	184.1	216.1	219	255	1.1	8	●	2
MPS1-0610-L35C		35	287	214.6	241.1	250	286	1.1	8	□	2
MPS1-0610-L40C		40	321	245.1	271.1	284	320	1.1	8	●	2
MPS1-0620S-DIN		6.2	3	79	24.8	34	43	77.9	1.1	8	□
MPS1-0620S-DIN-C	3		79	24.8	34	43	77.9	1.1	8	●	2
MPS1-0620L-DIN	5		91	43.8	53	55	89.9	1.1	8	□	4
MPS1-0620L-DIN-C	5		91	43.8	53	55	89.9	1.1	8	●	2
MPS1-0620-PC	2		75	13.4	32	35	74	1.0	8	●	2
MPS1-0620-L8C	8		113	50.9	73	76	112	1.1	8	●	2
MPS1-0620-L10C	10		126	63.1	86.1	89	125	1.1	8	□	2
MPS1-0620-L12C	12		139	75.5	99.1	102	138	1.1	8	●	2
MPS1-0620-L15C	15		158	94.1	118.1	121	157	1.1	8	●	2
MPS1-0620-L20C	20		191	125.1	151.1	154	190	1.1	8	●	2
MPS1-0620-L25C	25		223	156.1	183.1	186	222	1.1	8	□	2
MPS1-0620-L30C	30		256	187.1	216.1	219	255	1.1	8	●	2
MPS1-0620-L35C	35		287	218.1	241.1	250	286	1.1	8	□	2
MPS1-0620-L40C	40		321	249.1	271.1	284	320	1.1	8	●	2
MPS1-0630S-DIN	6.3		3	79	24.7	34	43	77.9	1.1	8	□
MPS1-0630S-DIN-C		3	79	24.7	34	43	77.9	1.1	8	●	2
MPS1-0630L-DIN		5	91	43.7	53	55	89.9	1.1	8	□	4
MPS1-0630L-DIN-C		5	91	43.7	53	55	89.9	1.1	8	●	2
MPS1-0630-PC		2	75	13.6	32	35	74	1.0	8	●	2
MPS1-0630-L8C		8	113	51.7	73	76	112	1.1	8	●	2
MPS1-0630-L10C		10	126	64.1	86.1	89	125	1.1	8	□	2
MPS1-0630-L12C		12	139	76.7	99.1	102	138	1.1	8	●	2
MPS1-0630-L15C		15	158	95.6	118.1	121	157	1.1	8	●	2
MPS1-0630-L20C		20	191	127.1	151.1	154	190	1.1	8	●	2
MPS1-0630-L25C		25	223	158.6	183.1	186	222	1.1	8	□	2
MPS1-0630-L30C		30	256	190.1	216.1	219	255	1.1	8	●	2
MPS1-0630-L35C		35	287	221.6	248.1	250	286	1.1	8	□	2
MPS1-0630-L40C		40	321	253.1	281.1	284	320	1.1	8	●	2



# MPS1

## MONOLITNÍ SK VRTÁK

Objednáací číslo	DC	(l/d)	OAL	LU	LCF	LH	LF	PL	DCON	DP1021	Typ
MPS1-0640S-DIN	6.4	3	79	24.6	34	43	77.8	1.2	8	□	4
MPS1-0640S-DIN-C		3	79	24.6	34	43	77.8	1.2	8	●	2
MPS1-0640L-DIN		5	91	43.6	53	55	89.8	1.2	8	□	4
MPS1-0640L-DIN-C		5	91	43.6	53	55	89.8	1.2	8	●	2
MPS1-0640-PC		2	75	13.8	32	35	74	1.0	8	●	2
MPS1-0640-L8C		8	113	52.5	73	76	112	1.2	8	●	2
MPS1-0640-L10C		10	126	65.2	86.2	89	125	1.2	8	□	2
MPS1-0640-L12C		12	139	78	99.2	102	138	1.2	8	●	2
MPS1-0640-L15C		15	158	97.2	118.2	121	157	1.2	8	●	2
MPS1-0640-L20C		20	191	129.2	151.2	154	190	1.2	8	●	2
MPS1-0640-L25C		25	223	161.2	183.2	186	222	1.2	8	●	2
MPS1-0640-L30C		30	256	193.2	216.2	219	255	1.2	8	●	2
MPS1-0640-L35C		35	287	225.2	248.2	250	286	1.2	8	□	2
MPS1-0640-L40C		40	321	257.2	281.2	284	320	1.2	8	●	2
MPS1-0650S-DIN	6.5	3	79	24.4	34	43	77.8	1.2	8	□	4
MPS1-0650S-DIN-C		3	79	24.4	34	43	77.8	1.2	8	●	2
MPS1-0650L-DIN		5	91	43.4	53	55	89.8	1.2	8	□	4
MPS1-0650L-DIN-C		5	91	43.4	53	55	89.8	1.2	8	●	2
MPS1-0650-PC		2	75	14	32	35	74	1.0	8	●	2
MPS1-0650-L8C		8	113	53.3	73	76	112	1.2	8	●	2
MPS1-0650-L10C		10	126	66.2	86.2	89	125	1.2	8	□	2
MPS1-0650-L12C		12	139	79.2	99.2	102	138	1.2	8	●	2
MPS1-0650-L15C		15	158	98.7	118.2	121	157	1.2	8	●	2
MPS1-0650-L20C		20	191	131.2	151.2	154	190	1.2	8	●	2
MPS1-0650-L25C		25	223	163.7	183.2	186	222	1.2	8	●	2
MPS1-0650-L30C		30	256	196.2	216.2	219	255	1.2	8	●	2
MPS1-0650-L35C		35	287	228.7	248.2	250	286	1.2	8	□	2
MPS1-0650-L40C		40	321	261.2	281.2	284	320	1.2	8	●	2
MPS1-0660S-DIN	6.6	3	79	24.3	34	43	77.8	1.2	8	□	4
MPS1-0660S-DIN-C		3	79	24.3	34	43	77.8	1.2	8	●	2
MPS1-0660L-DIN		5	91	43.3	53	55	89.8	1.2	8	□	4
MPS1-0660L-DIN-C		5	91	43.3	53	55	89.8	1.2	8	●	2
MPS1-0660-PC		2	75	14.2	35	37	74	1.0	8	●	2
MPS1-0660-L8C		8	118	54.2	78	81	117	1.2	8	●	2
MPS1-0660-L10C		10	132	67.2	92.2	95	131	1.2	8	□	2
MPS1-0660-L12C		12	146	80.4	106.2	109	145	1.2	8	●	2
MPS1-0660-L15C		15	167	100.2	127.2	130	166	1.2	8	●	2
MPS1-0660-L20C		20	202	133.2	162.2	165	201	1.2	8	□	2
MPS1-0660-L25C		25	237	166.2	197.2	200	236	1.2	8	●	2
MPS1-0660-L30C		30	272	199.2	232.2	235	271	1.2	8	●	2
MPS1-0660-L35C		35	306	232.2	267.2	269	305	1.2	8	□	2
MPS1-0660-L40C		40	341	265.2	301.2	304	340	1.2	8	●	2

# MPS1

## MONOLITNÍ SK VRTÁK

Objednáací číslo	DC	(l/d)	OAL	LU	LCF	LH	LF	PL	DCON	DP1021	Typ
MPS1-0670S-DIN	6.7	3	79	24.2	34	43	77.8	1.2	8	□	4
MPS1-0670S-DIN-C		3	79	24.2	34	43	77.8	1.2	8	●	2
MPS1-0670L-DIN		5	91	43.2	53	55	89.8	1.2	8	□	4
MPS1-0670L-DIN-C		5	91	43.2	53	55	89.8	1.2	8	●	2
MPS1-0670-PC		2	75	14.5	35.1	37	74	1.1	8	●	2
MPS1-0670-L8C		8	118	55.0	78	81	117	1.2	8	●	2
MPS1-0670-L10C		10	132	68.2	92.2	95	131	1.2	8	□	2
MPS1-0670-L12C		12	146	81.6	106.2	109	145	1.2	8	●	2
MPS1-0670-L15C		15	167	101.7	127.2	130	166	1.2	8	●	2
MPS1-0670-L20C		20	202	135.2	162.2	165	201	1.2	8	□	2
MPS1-0670-L25C		25	237	168.7	197.2	200	236	1.2	8	□	2
MPS1-0670-L30C		30	272	202.2	232.2	235	271	1.2	8	●	2
MPS1-0670-L35C		35	306	235.7	267.2	269	305	1.2	8	□	2
MPS1-0670-L40C		40	341	269.2	301.2	304	340	1.2	8	●	2
MPS1-0680S-DIN	6.8	3	79	24.0	34	43	77.8	1.2	8	□	4
MPS1-0680S-DIN-C		3	79	24.0	34	43	77.8	1.2	8	●	2
MPS1-0680L-DIN		5	91	43.0	53	55	89.8	1.2	8	□	4
MPS1-0680L-DIN-C		5	91	43.0	53	55	89.8	1.2	8	●	2
MPS1-0680-PC		2	75	14.7	35.1	37	74	1.1	8	●	2
MPS1-0680-L8C		8	118	55.8	78	81	117	1.2	8	●	2
MPS1-0680-L10C		10	132	69.2	92.2	95	131	1.2	8	□	2
MPS1-0680-L12C		12	146	82.8	106.2	109	145	1.2	8	●	2
MPS1-0680-L15C		15	167	103.2	127.2	130	166	1.2	8	●	2
MPS1-0680-L20C		20	202	137.2	162.2	165	201	1.2	8	●	2
MPS1-0680-L25C		25	237	171.2	197.2	200	236	1.2	8	●	2
MPS1-0680-L30C		30	272	205.2	232.2	235	271	1.2	8	●	2
MPS1-0680-L35C		35	306	239.2	267.2	269	305	1.2	8	□	2
MPS1-0680-L40C		40	341	273.2	301.2	304	340	1.2	8	●	2
MPS1-0690S-DIN	6.9	3	79	23.9	34	43	77.7	1.3	8	□	4
MPS1-0690S-DIN-C		3	79	23.9	34	43	77.7	1.3	8	●	2
MPS1-0690L-DIN		5	91	42.9	53	55	89.7	1.3	8	□	4
MPS1-0690L-DIN-C		5	91	42.9	53	55	89.7	1.3	8	●	2
MPS1-0690-PC		2	75	14.9	35.1	37	74	1.1	8	●	2
MPS1-0690-L8C		8	118	56.6	78	81	117	1.3	8	●	2
MPS1-0690-L10C		10	132	70.3	92.3	95	131	1.3	8	□	2
MPS1-0690-L12C		12	146	84.1	106.3	109	145	1.3	8	●	2
MPS1-0690-L15C		15	167	104.8	127.3	130	166	1.3	8	●	2
MPS1-0690-L20C		20	202	139.3	162.3	165	201	1.3	8	●	2
MPS1-0690-L25C		25	237	173.8	197.3	200	236	1.3	8	●	2
MPS1-0690-L30C		30	272	208.3	232.3	235	271	1.3	8	●	2
MPS1-0690-L35C		35	306	242.8	267.3	269	305	1.3	8	□	2
MPS1-0690-L40C		40	341	277.3	301.3	304	340	1.3	8	●	2

# MPS1

## MONOLITNÍ SK VRTÁK

Objednáací číslo	DC	(l/d)	OAL	LU	LCF	LH	LF	PL	DCON	DP1021	Typ
MPS1-0700S-DIN	7	3	79	23.8	34	43	77.7	1.3	8	□	4
MPS1-0700S-DIN-C		3	79	23.8	34	43	77.7	1.3	8	●	2
MPS1-0700L-DIN		5	91	42.8	53	55	89.7	1.3	8	□	4
MPS1-0700L-DIN-C		5	91	42.8	53	55	89.7	1.3	8	●	2
MPS1-0700-PC		2	75	15.1	35.1	37	74	1.1	8	●	2
MPS1-0700-L8C		8	118	57.4	78	81	117	1.3	8	●	2
MPS1-0700-L10C		10	132	71.3	92.3	95	131	1.3	8	●	2
MPS1-0700-L12C		12	146	85.3	106.3	109	145	1.3	8	●	2
MPS1-0700-L15C		15	167	106.3	127.3	130	166	1.3	8	●	2
MPS1-0700-L20C		20	202	141.3	162.3	165	201	1.3	8	●	2
MPS1-0700-L25C		25	237	176.3	197.3	200	236	1.3	8	●	2
MPS1-0700-L30C		30	272	211.3	232.3	235	271	1.3	8	●	2
MPS1-0700-L35C		35	306	246.3	267.3	269	305	1.3	8	□	2
MPS1-0700-L40C		40	341	281.3	301.3	304	340	1.3	8	●	2
MPS1-0710S-DIN	7.1	3	79	30.6	41	43	77.7	1.3	8	□	4
MPS1-0710S-DIN-C		3	79	30.6	41	43	77.7	1.3	8	●	2
MPS1-0710L-DIN		5	91	42.6	53	55	89.7	1.3	8	□	4
MPS1-0710L-DIN-C		5	91	42.6	53	55	89.7	1.3	8	●	2
MPS1-0710-PC		2	80	15.3	35.1	38	79	1.1	8	●	2
MPS1-0710-L8C		8	124	58.3	84	87	123	1.3	8	●	2
MPS1-0710-L10C		10	139	72.3	99.3	102	138	1.3	8	□	2
MPS1-0710-L12C		12	154	86.5	114.3	117	153	1.3	8	●	2
MPS1-0710-L15C		15	176	107.8	136.3	139	175	1.3	8	●	2
MPS1-0710-L20C		20	214	143.3	174.3	177	213	1.3	8	●	2
MPS1-0710-L25C		25	251	178.8	211.3	214	250	1.3	8	●	2
MPS1-0710-L30C		30	289	214.3	249.3	252	288	1.3	8	●	2
MPS1-0710-L35C		35	325	249.8	286.3	288	324	1.3	8	□	2
MPS1-0710-L40C		40	360	285.3	321.3	323	359	1.3	8	●	2
MPS1-0720S-DIN	7.2	3	79	30.5	41	43	77.7	1.3	8	□	4
MPS1-0720S-DIN-C		3	79	30.5	41	43	77.7	1.3	8	●	2
MPS1-0720L-DIN		5	91	42.5	53	55	89.7	1.3	8	□	4
MPS1-0720L-DIN-C		5	91	42.5	53	55	89.7	1.3	8	●	2
MPS1-0720-PC		2	80	15.5	35.1	38	79	1.1	8	●	2
MPS1-0720-L8C		8	124	59.1	84	87	123	1.3	8	●	2
MPS1-0720-L10C		10	139	73.3	99.3	102	138	1.3	8	□	2
MPS1-0720-L12C		12	154	87.7	114.3	117	153	1.3	8	●	2
MPS1-0720-L15C		15	176	109.3	136.3	139	175	1.3	8	□	2
MPS1-0720-L20C		20	214	145.3	174.3	177	213	1.3	8	□	2
MPS1-0720-L25C		25	251	181.3	211.3	214	250	1.3	8	□	2
MPS1-0720-L30C		30	289	217.3	249.3	252	288	1.3	8	□	2
MPS1-0720-L35C		35	325	253.3	286.3	288	324	1.3	8	□	2
MPS1-0720-L40C		40	360	289.3	321.3	323	359	1.3	8	●	2

# MPS1

## MONOLITNÍ SK VRTÁK

Objednáací číslo	DC	(l/d)	OAL	LU	LCF	LH	LF	PL	DCON	DP1021	Typ
MPS1-0730S-DIN	7.3	3	79	30.4	41	43	77.7	1.3	8	□	4
MPS1-0730S-DIN-C		3	79	30.4	41	43	77.7	1.3	8	●	2
MPS1-0730L-DIN		5	91	42.4	53	55	89.7	1.3	8	□	4
MPS1-0730L-DIN-C		5	91	42.4	53	55	89.7	1.3	8	●	2
MPS1-0730-PC		2	80	15.8	35.2	38	79	1.2	8	●	2
MPS1-0730-L8C		8	125	59.9	84	88	123	1.3	8	●	2
MPS1-0730-L10C		10	139	74.3	99.3	102	138	1.3	8	□	2
MPS1-0730-L12C		12	154	88.9	114.3	117	153	1.3	8	●	2
MPS1-0730-L15C		15	176	110.8	136.3	139	175	1.3	8	□	2
MPS1-0730-L20C		20	214	147.3	174.3	177	213	1.3	8	□	2
MPS1-0730-L25C		25	251	183.8	211.3	214	250	1.3	8	□	2
MPS1-0730-L30C		30	289	220.3	249.3	252	288	1.3	8	□	2
MPS1-0730-L35C		35	325	256.8	286.3	288	324	1.3	8	□	2
MPS1-0730-L40C		40	360	293.3	321.3	323	359	1.3	8	●	2
MPS1-0740S-DIN	7.4	3	79	30.2	41	43	77.7	1.3	8	□	4
MPS1-0740S-DIN-C		3	79	30.2	41	43	77.7	1.3	8	●	2
MPS1-0740L-DIN		5	91	42.2	53	55	89.7	1.3	8	□	4
MPS1-0740L-DIN-C		5	91	42.2	53	55	89.7	1.3	8	●	2
MPS1-0740-PC		2	80	16	35.2	38	79	1.2	8	●	2
MPS1-0740-L8C		8	125	60.7	84	88	123	1.3	8	●	2
MPS1-0740-L10C		10	139	75.3	99.3	102	138	1.3	8	□	2
MPS1-0740-L12C		12	154	90.1	114.3	117	153	1.3	8	●	2
MPS1-0740-L15C		15	176	112.3	136.3	139	175	1.3	8	□	2
MPS1-0740-L20C		20	214	149.3	174.3	177	213	1.3	8	□	2
MPS1-0740-L25C		25	251	186.3	211.3	214	250	1.3	8	□	2
MPS1-0740-L30C		30	289	223.3	249.3	252	288	1.3	8	□	2
MPS1-0740-L35C		35	325	260.3	286.3	288	324	1.3	8	□	2
MPS1-0740-L40C		40	360	297.3	321.3	323	359	1.3	8	●	2
MPS1-0750S-DIN	7.5	3	79	30.1	41	43	77.6	1.4	8	□	4
MPS1-0750S-DIN-C		3	79	30.1	41	43	77.6	1.4	8	●	2
MPS1-0750L-DIN		5	91	42.1	53	55	89.6	1.4	8	□	4
MPS1-0750L-DIN-C		5	91	42.1	53	55	89.6	1.4	8	●	2
MPS1-0750-PC		2	80	16.2	35.2	38	79	1.2	8	●	2
MPS1-0750-L8C		8	125	61.6	84	88	123	1.4	8	●	2
MPS1-0750-L10C		10	139	76.4	99.4	102	138	1.4	8	□	2
MPS1-0750-L12C		12	154	91.4	114.4	117	153	1.4	8	●	2
MPS1-0750-L15C		15	176	113.9	136.4	139	175	1.4	8	●	2
MPS1-0750-L20C		20	214	151.4	174.4	177	213	1.4	8	●	2
MPS1-0750-L25C		25	251	188.9	211.4	214	250	1.4	8	●	2
MPS1-0750-L30C		30	289	226.4	249.4	252	288	1.4	8	●	2
MPS1-0750-L35C		35	325	263.9	286.4	288	324	1.4	8	□	2
MPS1-0750-L40C		40	360	301.4	321.4	323	359	1.4	8	●	2

# MPS1

## MONOLITNÍ SK VRTÁK

Objednáací číslo	DC	(l/d)	OAL	LU	LCF	LH	LF	PL	DCON	DP1021	Typ
MPS1-0760S-DIN		3	79	30.0	41	43	77.6	1.4	8	□	4
MPS1-0760S-DIN-C		3	79	30.0	41	43	77.6	1.4	8	●	2
MPS1-0760L-DIN		5	91	42.0	53	55	89.6	1.4	8	□	4
MPS1-0760L-DIN-C		5	91	42.0	53	55	89.6	1.4	8	●	2
MPS1-0760-PC		2	80	16.4	38.2	38	79	1.2	8	●	2
MPS1-0760-L8C		8	130	62.4	89	93	128	1.4	8	●	2
MPS1-0760-L10C	7.6	10	145	77.4	105.4	108	144	1.4	8	□	2
MPS1-0760-L12C		12	161	92.6	121.4	124	160	1.4	8	●	2
MPS1-0760-L15C		15	185	115.4	145.4	148	184	1.4	8	●	2
MPS1-0760-L20C		20	225	153.4	185.4	188	224	1.4	8	□	2
MPS1-0760-L25C		25	265	191.4	225.4	228	264	1.4	8	●	2
MPS1-0760-L30C		30	305	229.4	265.4	268	304	1.4	8	□	2
MPS1-0760-L35C		35	344	267.4	305.4	307	343	1.4	8	□	2
MPS1-0760-L40C		40	379	305.4	341.4	342	378	1.4	8	●	2
MPS1-0770S-DIN		3	79	29.9	41	43	77.6	1.4	8	□	4
MPS1-0770S-DIN-C		3	79	29.9	41	43	77.6	1.4	8	●	2
MPS1-0770L-DIN		5	91	41.9	53	55	89.6	1.4	8	□	4
MPS1-0770L-DIN-C		5	91	41.9	53	55	89.6	1.4	8	●	2
MPS1-0770-PC		2	80	16.6	38.2	38	79	1.2	8	●	2
MPS1-0770-L8C		8	130	63.2	89	93	128	1.4	8	●	2
MPS1-0770-L10C	7.7	10	145	78.4	105.4	108	144	1.4	8	□	2
MPS1-0770-L12C		12	161	93.8	121.4	124	160	1.4	8	●	2
MPS1-0770-L15C		15	185	116.9	145.4	148	184	1.4	8	●	2
MPS1-0770-L20C		20	225	155.4	185.4	188	224	1.4	8	□	2
MPS1-0770-L25C		25	265	193.9	225.4	228	264	1.4	8	●	2
MPS1-0770-L30C		30	305	232.4	265.4	268	304	1.4	8	□	2
MPS1-0770-L35C		35	344	270.9	305.4	307	343	1.4	8	□	2
MPS1-0770-L40C		40	379	309.4	341.4	342	378	1.4	8	●	2
MPS1-0780S-DIN		3	79	29.7	41	43	77.6	1.4	8	□	4
MPS1-0780S-DIN-C		3	79	29.7	41	43	77.6	1.4	8	●	2
MPS1-0780L-DIN		5	91	41.7	53	55	89.6	1.4	8	□	4
MPS1-0780L-DIN-C		5	91	41.7	53	55	89.6	1.4	8	●	2
MPS1-0780-PC		2	80	16.8	38.2	38	79	1.2	8	●	2
MPS1-0780-L8C		8	130	64.0	89	93	128	1.4	8	●	2
MPS1-0780-L10C	7.8	10	145	79.4	105.4	108	144	1.4	8	□	2
MPS1-0780-L12C		12	161	95	121.4	124	160	1.4	8	●	2
MPS1-0780-L15C		15	185	118.4	145.4	148	184	1.4	8	●	2
MPS1-0780-L20C		20	225	157.4	185.4	188	224	1.4	8	□	2
MPS1-0780-L25C		25	265	196.4	225.4	228	264	1.4	8	□	2
MPS1-0780-L30C		30	305	235.4	265.4	268	304	1.4	8	●	2
MPS1-0780-L35C		35	344	274.4	305.4	307	343	1.4	8	□	2
MPS1-0780-L40C		40	379	313.4	341.4	342	378	1.4	8	●	2

# MPS1

## MONOLITNÍ SK VRTÁK

Objednáací číslo	DC	(l/d)	OAL	LU	LCF	LH	LF	PL	DCON	DP1021	Typ
MPS1-0790S-DIN	7.9	3	79	29.6	41	43	77.6	1.4	8	□	4
MPS1-0790S-DIN-C		3	79	29.6	41	43	77.6	1.4	8	●	2
MPS1-0790L-DIN		5	91	41.6	53	55	89.6	1.4	8	□	4
MPS1-0790L-DIN-C		5	91	41.6	53	55	89.6	1.4	8	●	2
MPS1-0790-PC		2	80	17	38.2	38	79	1.2	8	●	2
MPS1-0790-L8C		8	130	64.8	89	93	128	1.4	8	●	2
MPS1-0790-L10C		10	145	80.4	105.4	108	144	1.4	8	□	2
MPS1-0790-L12C		12	161	96.2	121.4	124	160	1.4	8	●	2
MPS1-0790-L15C		15	185	119.9	145.4	148	184	1.4	8	□	2
MPS1-0790-L20C		20	225	159.4	185.4	188	224	1.4	8	□	2
MPS1-0790-L25C		25	265	198.9	225.4	228	264	1.4	8	●	2
MPS1-0790-L30C		30	305	238.4	265.4	268	304	1.4	8	●	2
MPS1-0790-L35C		35	344	277.9	305.4	307	343	1.4	8	□	2
MPS1-0790-L40C		40	379	317.4	341.4	342	378	1.4	8	●	2
MPS1-0800S-DIN	8	3	79	29.5	41	43	77.5	1.5	8	□	4
MPS1-0800S-DIN-C		3	79	29.5	41	43	77.5	1.5	8	●	2
MPS1-0800L-DIN		5	91	41.5	53	55	89.5	1.5	8	□	4
MPS1-0800L-DIN-C		5	91	41.5	53	55	89.5	1.5	8	●	2
MPS1-0800-PC		2	80	17.3	38.3	38	79	1.3	8	●	2
MPS1-0800-L8C		8	130	65.7	89	93	128	1.5	8	●	2
MPS1-0800-L10C		10	145	81.5	105.5	108	144	1.5	8	●	2
MPS1-0800-L12C		12	161	97.5	121.5	124	160	1.5	8	●	2
MPS1-0800-L15C		15	185	121.5	145.5	148	184	1.5	8	●	2
MPS1-0800-L20C		20	225	161.5	185.5	188	224	1.5	8	●	2
MPS1-0800-L25C		25	265	201.5	225.5	228	264	1.5	8	●	2
MPS1-0800-L30C		30	305	241.5	265.5	268	304	1.5	8	●	2
MPS1-0800-L35C		35	344	281.5	305.5	307	343	1.5	8	□	2
MPS1-0800-L40C		40	379	321.5	341.5	342	378	1.5	8	●	2
MPS1-0805S-DIN	8.05	3	88	34.4	46	48	86.5	1.5	10	□	4
MPS1-0805S-DIN-C		3	88	34.4	46	48	86.5	1.5	10	●	2
MPS1-0805L-DIN		5	102	48.4	60	62	100.5	1.5	10	□	4
MPS1-0805L-DIN-C		5	102	48.4	60	62	100.5	1.5	10	●	2
MPS1-0810S-DIN	8.1	3	88	34.3	46	48	86.5	1.5	10	□	4
MPS1-0810S-DIN-C		3	88	34.3	46	48	86.5	1.5	10	●	2
MPS1-0810L-DIN		5	102	48.3	60	62	100.5	1.5	10	□	4
MPS1-0810L-DIN-C		5	102	48.3	60	62	100.5	1.5	10	●	2
MPS1-0810-PC		2	85	17.5	38.3	41	84	1.3	10	●	2
MPS1-0810-L8C		8	140	66.5	95	99	138	1.5	10	●	2
MPS1-0810-L10C		10	156	82.5	112.5	115	155	1.5	10	□	2
MPS1-0810-L12C		12	173	98.7	129.5	132	172	1.5	10	●	2
MPS1-0810-L15C		15	198	123	154.5	157	197	1.5	10	●	2
MPS1-0810-L20C		20	241	163.5	197.5	200	240	1.5	10	●	2
MPS1-0810-L25C		25	283	204	239.5	242	282	1.5	10	□	2
MPS1-0810-L30C		30	325	244.5	282.5	284	324	1.5	10	□	2
MPS1-0810-L35C		35	367	285	324.5	326	366	1.5	10	□	2
MPS1-0810-L40C		40	411	325.5	366.5	370	410	1.5	10	●	2

# MPS1

## MONOLITNÍ SK VRTÁK

Objednáací číslo	DC	(l/d)	OAL	LU	LCF	LH	LF	PL	DCON	DP1021	Typ
MPS1-0820S-DIN	8.2	3	88	34.2	46	48	86.5	1.5	10	□	4
MPS1-0820S-DIN-C		3	88	34.2	46	48	86.5	1.5	10	●	2
MPS1-0820L-DIN		5	102	48.2	60	62	100.5	1.5	10	□	4
MPS1-0820L-DIN-C		5	102	48.2	60	62	100.5	1.5	10	●	2
MPS1-0820-PC		2	85	17.7	38.3	41	84	1.3	10	●	2
MPS1-0820-L8C		8	140	67.3	95	99	138	1.5	10	●	2
MPS1-0820-L10C		10	156	83.5	112.5	115	155	1.5	10	□	2
MPS1-0820-L12C		12	173	99.9	129.5	132	172	1.5	10	●	2
MPS1-0820-L15C		15	198	124.5	154.5	157	197	1.5	10	●	2
MPS1-0820-L20C		20	241	165.5	197.5	200	240	1.5	10	●	2
MPS1-0820-L25C		25	283	206.5	239.5	242	282	1.5	10	□	2
MPS1-0820-L30C		30	325	247.5	282.5	284	324	1.5	10	□	2
MPS1-0820-L35C		35	367	288.5	324.5	326	366	1.5	10	□	2
MPS1-0820-L40C		40	411	329.5	366.5	370	410	1.5	10	●	2
MPS1-0830S-DIN	8.3	3	88	34.1	46	48	86.5	1.5	10	□	4
MPS1-0830S-DIN-C		3	88	34.1	46	48	86.5	1.5	10	●	2
MPS1-0830L-DIN		5	102	48.1	60	62	100.5	1.5	10	□	4
MPS1-0830L-DIN-C		5	102	48.1	60	62	100.5	1.5	10	●	2
MPS1-0830-PC		2	85	17.9	38.3	41	84	1.3	10	●	2
MPS1-0830-L8C		8	140	68.1	95	99	138	1.5	10	●	2
MPS1-0830-L10C		10	157	84.5	112.5	116	155	1.5	10	□	2
MPS1-0830-L12C		12	174	101.1	129.5	133	172	1.5	10	●	2
MPS1-0830-L15C		15	199	126	154.5	158	197	1.5	10	□	2
MPS1-0830-L20C		20	242	167.5	197.5	201	240	1.5	10	□	2
MPS1-0830-L25C		25	284	209	239.5	243	282	1.5	10	□	2
MPS1-0830-L30C		30	326	250.5	282.5	285	324	1.5	10	□	2
MPS1-0830-L35C		35	368	292	324.5	327	366	1.5	10	□	2
MPS1-0830-L40C		40	412	333.5	366.5	371	410	1.5	10	●	2
MPS1-0840S-DIN	8.4	3	88	33.9	46	48	86.5	1.5	10	□	4
MPS1-0840S-DIN-C		3	88	33.9	46	48	86.5	1.5	10	●	2
MPS1-0840L-DIN		5	102	47.9	60	62	100.5	1.5	10	□	4
MPS1-0840L-DIN-C		5	102	47.9	60	62	100.5	1.5	10	●	2
MPS1-0840-PC		2	85	18.1	38.3	41	84	1.3	10	●	2
MPS1-0840-L8C		8	140	68.9	95	99	138	1.5	10	●	2
MPS1-0840-L10C		10	157	85.5	112.5	116	155	1.5	10	□	2
MPS1-0840-L12C		12	174	102.3	129.5	133	172	1.5	10	●	2
MPS1-0840-L15C		15	199	127.5	154.5	158	197	1.5	10	●	2
MPS1-0840-L20C		20	242	169.5	197.5	201	240	1.5	10	□	2
MPS1-0840-L25C		25	284	211.5	239.5	243	282	1.5	10	□	2
MPS1-0840-L30C		30	326	253.5	282.5	285	324	1.5	10	□	2
MPS1-0840-L35C		35	368	295.5	324.5	327	366	1.5	10	□	2
MPS1-0840-L40C		40	412	337.5	366.5	371	410	1.5	10	●	2

# MPS1

## MONOLITNÍ SK VRTÁK

Objednáací číslo	DC	(l/d)	OAL	LU	LCF	LH	LF	PL	DCON	DP1021	Typ	
MPS1-0850S-DIN	8.5	3	88	33.8	46	48	86.5	1.5	10	□	4	
MPS1-0850S-DIN-C		3	88	33.8	46	48	86.5	1.5	10	●	2	
MPS1-0850L-DIN		5	102	47.8	60	62	100.5	1.5	10	□	4	
MPS1-0850L-DIN-C		5	102	47.8	60	62	100.5	1.5	10	●	2	
MPS1-0850-PC		2	85	18.3	38.3	41	84	1.3	10	●	2	
MPS1-0850-L8C		8	140	69.8	95	99	138	1.5	10	●	2	
MPS1-0850-L10C		10	157	86.5	112.5	116	155	1.5	10	□	2	
MPS1-0850-L12C		12	174	103.5	129.5	133	172	1.5	10	●	2	
MPS1-0850-L15C		15	199	129	154.5	158	197	1.5	10	●	2	
MPS1-0850-L20C		20	242	171.5	197.5	201	240	1.5	10	●	2	
MPS1-0850-L25C		25	284	214	239.5	243	282	1.5	10	●	2	
MPS1-0850-L30C		30	326	256.5	282.5	285	324	1.5	10	●	2	
MPS1-0850-L35C		35	368	299	324.5	327	366	1.5	10	□	2	
MPS1-0850-L40C		40	412	341.5	366.5	371	410	1.5	10	●	2	
MPS1-0860S-DIN		8.6	3	88	33.7	46	48	86.4	1.6	10	□	4
MPS1-0860S-DIN-C			3	88	33.7	46	48	86.4	1.6	10	●	2
MPS1-0860L-DIN	5		102	47.7	60	62	100.4	1.6	10	□	4	
MPS1-0860L-DIN-C	5		102	47.7	60	62	100.4	1.6	10	●	2	
MPS1-0860-PC	2		85	18.6	41.4	43	84	1.4	10	●	2	
MPS1-0860-L8C	8		145	70.6	100	104	143	1.6	10	●	2	
MPS1-0860-L10C	10		163	87.6	118.6	122	161	1.6	10	□	2	
MPS1-0860-L12C	12		181	104.8	136.6	140	179	1.6	10	●	2	
MPS1-0860-L15C	15		208	130.6	163.6	167	206	1.6	10	●	2	
MPS1-0860-L20C	20		253	173.6	208.6	212	251	1.6	10	□	2	
MPS1-0860-L25C	25		298	216.6	253.6	257	296	1.6	10	●	2	
MPS1-0860-L30C	30		342	259.6	298.6	301	340	1.6	10	●	2	
MPS1-0860-L35C	35		387	302.6	343.6	346	385	1.6	10	□	2	
MPS1-0860-L40C	40		436	345.6	391.6	395	434	1.6	10	●	2	
MPS1-0870S-DIN	8.7		3	88	33.5	46	48	86.4	1.6	10	□	4
MPS1-0870S-DIN-C			3	88	33.5	46	48	86.4	1.6	10	●	2
MPS1-0870L-DIN		5	102	47.5	60	62	100.4	1.6	10	□	4	
MPS1-0870L-DIN-C		5	102	47.5	60	62	100.4	1.6	10	●	2	
MPS1-0870-PC		2	85	18.8	41.4	43	84	1.4	10	●	2	
MPS1-0870-L8C		8	145	71.4	100	104	143	1.6	10	●	2	
MPS1-0870-L10C		10	163	88.6	118.6	122	161	1.6	10	□	2	
MPS1-0870-L12C		12	181	106	136.6	140	179	1.6	10	●	2	
MPS1-0870-L15C		15	208	132.1	163.6	167	206	1.6	10	●	2	
MPS1-0870-L20C		20	253	175.6	208.6	212	251	1.6	10	□	2	
MPS1-0870-L25C		25	298	219.1	253.6	257	296	1.6	10	●	2	
MPS1-0870-L30C		30	342	262.6	298.6	301	340	1.6	10	□	2	
MPS1-0870-L35C		35	387	306.1	343.6	346	385	1.6	10	□	2	
MPS1-0870-L40C		40	436	349.6	391.6	395	434	1.6	10	●	2	



# MPS1

## MONOLITNÍ SK VRTÁK

Objednáací číslo	DC	(l/d)	OAL	LU	LCF	LH	LF	PL	DCON	DP1021	Typ	
MPS1-0880S-DIN	8.8	3	88	33.4	46	48	86.4	1.6	10	□	4	
MPS1-0880S-DIN-C		3	88	33.4	46	48	86.4	1.6	10	●	2	
MPS1-0880L-DIN		5	102	47.4	60	62	100.4	1.6	10	□	4	
MPS1-0880L-DIN-C		5	102	47.4	60	62	100.4	1.6	10	●	2	
MPS1-0880-PC		2	85	19	41.4	43	84	1.4	10	●	2	
MPS1-0880-L8C		8	145	72.2	100	104	143	1.6	10	●	2	
MPS1-0880-L10C		10	163	89.6	118.6	122	161	1.6	10	□	2	
MPS1-0880-L12C		12	181	107.2	136.6	140	179	1.6	10	●	2	
MPS1-0880-L15C		15	208	133.6	163.6	167	206	1.6	10	●	2	
MPS1-0880-L20C		20	253	177.6	208.6	212	251	1.6	10	●	2	
MPS1-0880-L25C		25	298	221.6	253.6	257	296	1.6	10	●	2	
MPS1-0880-L30C		30	342	265.6	298.6	301	340	1.6	10	●	2	
MPS1-0880-L35C		35	387	309.6	343.6	346	385	1.6	10	□	2	
MPS1-0880-L40C		40	436	353.6	391.6	395	434	1.6	10	●	2	
MPS1-0890S-DIN		8.9	3	88	33.3	46	48	86.4	1.6	10	□	4
MPS1-0890S-DIN-C			3	88	33.3	46	48	86.4	1.6	10	●	2
MPS1-0890L-DIN	5		102	47.3	60	62	100.4	1.6	10	□	4	
MPS1-0890L-DIN-C	5		102	47.3	60	62	100.4	1.6	10	●	2	
MPS1-0890-PC	2		85	19.2	41.4	43	84	1.4	10	●	2	
MPS1-0890-L8C	8		145	73.0	100	104	143	1.6	10	●	2	
MPS1-0890-L10C	10		163	90.6	118.6	122	161	1.6	10	□	2	
MPS1-0890-L12C	12		181	108.4	136.6	140	179	1.6	10	●	2	
MPS1-0890-L15C	15		208	135.1	163.6	167	206	1.6	10	□	2	
MPS1-0890-L20C	20		253	179.6	208.6	212	251	1.6	10	□	2	
MPS1-0890-L25C	25		298	224.1	253.6	257	296	1.6	10	□	2	
MPS1-0890-L30C	30		342	268.6	298.6	301	340	1.6	10	□	2	
MPS1-0890-L35C	35		387	313.1	343.6	346	385	1.6	10	□	2	
MPS1-0890-L40C	40		436	357.6	391.6	395	434	1.6	10	●	2	
MPS1-0900S-DIN	9		3	88	33.1	46	48	86.4	1.6	10	□	4
MPS1-0900S-DIN-C			3	88	33.1	46	48	86.4	1.6	10	●	2
MPS1-0900L-DIN		5	102	47.1	60	62	100.4	1.6	10	□	4	
MPS1-0900L-DIN-C		5	102	47.1	60	62	100.4	1.6	10	●	2	
MPS1-0900-PC		2	85	19.4	41.4	43	84	1.4	10	●	2	
MPS1-0900-L8C		8	145	73.9	100	104	143	1.6	10	●	2	
MPS1-0900-L10C		10	163	91.6	118.6	122	161	1.6	10	●	2	
MPS1-0900-L12C		12	181	109.6	136.6	140	179	1.6	10	●	2	
MPS1-0900-L15C		15	208	136.6	163.6	167	206	1.6	10	●	2	
MPS1-0900-L20C		20	253	181.6	208.6	212	251	1.6	10	●	2	
MPS1-0900-L25C		25	298	226.6	253.6	257	296	1.6	10	●	2	
MPS1-0900-L30C		30	342	271.6	298.6	301	340	1.6	10	●	2	
MPS1-0900-L35C		35	387	316.6	343.6	346	385	1.6	10	□	2	
MPS1-0900-L40C		40	436	361.6	391.6	395	434	1.6	10	●	2	

# MPS1

## MONOLITNÍ SK VRTÁK

Objednáací číslo	DC	(l/d)	OAL	LU	LCF	LH	LF	PL	DCON	DP1021	Typ	
MPS1-0910S-DIN	9.1	3	89	33.0	47	49	87.3	1.7	10	□	4	
MPS1-0910S-DIN-C		3	89	33.0	47	49	87.3	1.7	10	●	2	
MPS1-0910L-DIN		5	103	47.0	62	63	101.3	1.7	10	□	4	
MPS1-0910L-DIN-C		5	103	47.0	62	63	101.3	1.7	10	●	2	
MPS1-0910-PC		2	90	19.6	41.4	44	89	1.4	10	●	2	
MPS1-0910-L8C		8	151	74.7	107	110	149	1.7	10	●	2	
MPS1-0910-L10C		10	170	92.7	125.7	129	168	1.7	10	□	2	
MPS1-0910-L12C		12	189	110.9	144.7	148	187	1.7	10	●	2	
MPS1-0910-L15C		15	217	138.2	172.7	176	215	1.7	10	●	2	
MPS1-0910-L20C		20	265	183.7	220.7	224	263	1.7	10	□	2	
MPS1-0910-L25C		25	312	229.2	267.7	271	310	1.7	10	□	2	
MPS1-0910-L30C		30	360	274.7	315.7	319	358	1.7	10	●	2	
MPS1-0910-L35C		35	406	320.2	362.7	365	404	1.7	10	□	2	
MPS1-0920S-DIN		9.2	3	89	32.9	47	49	87.3	1.7	10	□	4
MPS1-0920S-DIN-C			3	89	32.9	47	49	87.3	1.7	10	●	2
MPS1-0920L-DIN	5		103	46.9	62	63	101.3	1.7	10	□	4	
MPS1-0920L-DIN-C	5		103	46.9	62	63	101.3	1.7	10	●	2	
MPS1-0920-PC	2		90	19.9	41.5	44	89	1.5	10	●	2	
MPS1-0920-L8C	8		151	75.5	107	110	149	1.7	10	●	2	
MPS1-0920-L10C	10		170	93.7	125.7	129	168	1.7	10	□	2	
MPS1-0920-L12C	12		189	112.1	144.7	148	187	1.7	10	●	2	
MPS1-0920-L15C	15		217	139.7	172.7	176	215	1.7	10	●	2	
MPS1-0920-L20C	20		265	185.7	220.7	224	263	1.7	10	□	2	
MPS1-0920-L25C	25		312	231.7	267.7	271	310	1.7	10	□	2	
MPS1-0920-L30C	30		360	277.7	315.7	319	358	1.7	10	□	2	
MPS1-0920-L35C	35		406	323.7	362.7	365	404	1.7	10	□	2	
MPS1-0930S-DIN	9.3		3	89	32.7	47	49	87.3	1.7	10	□	4
MPS1-0930S-DIN-C			3	89	32.7	47	49	87.3	1.7	10	●	2
MPS1-0930L-DIN		5	103	46.7	62	63	101.3	1.7	10	□	4	
MPS1-0930L-DIN-C		5	103	46.7	62	63	101.3	1.7	10	●	2	
MPS1-0930-PC		2	90	20.1	41.5	44	89	1.5	10	●	2	
MPS1-0930-L8C		8	151	76.3	107	110	149	1.7	10	●	2	
MPS1-0930-L10C		10	170	94.7	125.7	129	168	1.7	10	□	2	
MPS1-0930-L12C		12	189	113.3	144.7	148	187	1.7	10	●	2	
MPS1-0930-L15C		15	217	141.2	172.7	176	215	1.7	10	□	2	
MPS1-0930-L20C		20	265	187.7	220.7	224	263	1.7	10	□	2	
MPS1-0930-L25C		25	312	234.2	267.7	271	310	1.7	10	□	2	
MPS1-0930-L30C		30	360	280.7	315.7	319	358	1.7	10	□	2	
MPS1-0930-L35C		35	406	327.2	362.7	365	404	1.7	10	□	2	

# MPS1

## MONOLITNÍ SK VRTÁK

Objednáací číslo	DC	(l/d)	OAL	LU	LCF	LH	LF	PL	DCON	DP1021	Typ
MPS1-0940S-DIN		3	89	32.6	47	49	87.3	1.7	10	□	4
MPS1-0940S-DIN-C		3	89	32.6	47	49	87.3	1.7	10	●	2
MPS1-0940L-DIN		5	103	46.6	62	63	101.3	1.7	10	□	4
MPS1-0940L-DIN-C		5	103	46.6	62	63	101.3	1.7	10	●	2
MPS1-0940-PC		2	90	20.3	41.5	44	89	1.5	10	●	2
MPS1-0940-L8C		8	151	77.1	107	110	149	1.7	10	●	2
MPS1-0940-L10C	9.4	10	170	95.7	125.7	129	168	1.7	10	□	2
MPS1-0940-L12C		12	189	114.5	144.7	148	187	1.7	10	●	2
MPS1-0940-L15C		15	216	142.7	172.7	175	215	1.7	10	□	2
MPS1-0940-L20C		20	264	189.7	220.7	223	263	1.7	10	□	2
MPS1-0940-L25C		25	311	236.7	267.7	270	310	1.7	10	□	2
MPS1-0940-L30C		30	359	283.7	315.7	318	358	1.7	10	□	2
MPS1-0940-L35C		35	406	330.7	362.7	365	404	1.7	10	□	2
MPS1-0950S-DIN		3	89	32.5	47	49	87.3	1.7	10	□	4
MPS1-0950S-DIN-C		3	89	32.5	47	49	87.3	1.7	10	●	2
MPS1-0950L-DIN		5	103	46.5	62	63	101.3	1.7	10	□	4
MPS1-0950L-DIN-C		5	103	46.5	62	63	101.3	1.7	10	●	2
MPS1-0950-PC		2	90	20.5	41.5	44	89	1.5	10	●	2
MPS1-0950-L8C		8	151	78.0	107	110	149	1.7	10	●	2
MPS1-0950-L10C	9.5	10	169	96.7	125.7	128	168	1.7	10	□	2
MPS1-0950-L12C		12	188	115.7	144.7	147	187	1.7	10	●	2
MPS1-0950-L15C		15	216	144.2	172.7	175	215	1.7	10	●	2
MPS1-0950-L20C		20	265	191.7	220.7	224	263	1.7	10	●	2
MPS1-0950-L25C		25	311	239.2	267.7	270	310	1.7	10	●	2
MPS1-0950-L30C		30	359	286.7	315.7	318	358	1.7	10	●	2
MPS1-0950-L35C		35	405	334.2	362.7	364	404	1.7	10	□	2
MPS1-0960S-DIN		3	89	32.3	47	49	87.3	1.7	10	□	4
MPS1-0960S-DIN-C		3	89	32.3	47	49	87.3	1.7	10	●	2
MPS1-0960L-DIN		5	103	46.3	62	63	101.3	1.7	10	□	4
MPS1-0960L-DIN-C		5	103	46.3	62	63	101.3	1.7	10	●	2
MPS1-0960-PC		2	90	20.7	44.5	44	89	1.5	10	●	2
MPS1-0960-L8C		8	156	78.8	112	115	154	1.7	10	●	2
MPS1-0960-L10C	9.6	10	176	97.7	131.7	135	174	1.7	10	□	2
MPS1-0960-L12C		12	195	116.9	151.7	154	194	1.7	10	●	2
MPS1-0960-L15C		15	225	145.7	181.7	184	224	1.7	10	●	2
MPS1-0960-L20C		20	275	193.7	231.7	234	274	1.7	10	□	2
MPS1-0960-L25C		25	325	241.7	281.7	284	324	1.7	10	□	2
MPS1-0960-L30C		30	375	289.7	331.7	334	374	1.7	10	□	2
MPS1-0960-L35C		35	424	337.7	381.7	383	423	1.7	10	□	2

# MPS1

## MONOLITNÍ SK VRTÁK

Objednáací číslo	DC	(l/d)	OAL	LU	LCF	LH	LF	PL	DCON	DP1021	Typ	
MPS1-0970S-DIN	9.7	3	89	32.2	47	49	87.2	1.8	10	□	4	
MPS1-0970S-DIN-C		3	89	32.2	47	49	87.2	1.8	10	●	2	
MPS1-0970L-DIN		5	103	46.2	62	63	101.2	1.8	10	□	4	
MPS1-0970L-DIN-C		5	103	46.2	62	63	101.2	1.8	10	●	2	
MPS1-0970-PC		2	90	20.9	44.5	44	89	1.5	10	●	2	
MPS1-0970-L8C		8	156	79.6	112	115	154	1.8	10	●	2	
MPS1-0970-L10C		10	175	98.8	131.8	134	174	1.8	10	□	2	
MPS1-0970-L12C		12	195	118.2	151.8	154	194	1.8	10	●	2	
MPS1-0970-L15C		15	225	147.3	181.8	184	224	1.8	10	●	2	
MPS1-0970-L20C		20	275	195.8	231.8	234	274	1.8	10	□	2	
MPS1-0970-L25C		25	325	244.3	281.8	284	324	1.8	10	□	2	
MPS1-0970-L30C		30	376	292.8	331.8	335	374	1.8	10	□	2	
MPS1-0970-L35C		35	425	341.3	381.8	384	423	1.8	10	□	2	
MPS1-0980S-DIN		9.8	3	89	32.1	47	49	87.2	1.8	10	□	4
MPS1-0980S-DIN-C			3	89	32.1	47	49	87.2	1.8	10	●	2
MPS1-0980L-DIN	5		103	46.1	62	63	101.2	1.8	10	□	4	
MPS1-0980L-DIN-C	5		103	46.1	62	63	101.2	1.8	10	●	2	
MPS1-0980-PC	2		91	21.1	44.5	45	89	1.5	10	●	2	
MPS1-0980-L8C	8		156	80.4	112	115	154	1.8	10	●	2	
MPS1-0980-L10C	10		176	99.8	131.8	135	174	1.8	10	□	2	
MPS1-0980-L12C	12		196	119.4	151.8	155	194	1.8	10	●	2	
MPS1-0980-L15C	15		226	148.8	181.8	185	224	1.8	10	●	2	
MPS1-0980-L20C	20		276	197.8	231.8	235	274	1.8	10	●	2	
MPS1-0980-L25C	25		326	246.8	281.8	285	324	1.8	10	□	2	
MPS1-0980-L30C	30		376	295.8	331.8	335	374	1.8	10	●	2	
MPS1-0980-L35C	35		425	344.8	381.8	384	423	1.8	10	□	2	
MPS1-0990S-DIN	9.9		3	89	32.0	47	49	87.2	1.8	10	□	4
MPS1-0990S-DIN-C			3	89	32.0	47	49	87.2	1.8	10	●	2
MPS1-0990L-DIN		5	103	46.0	62	63	101.2	1.8	10	□	4	
MPS1-0990L-DIN-C		5	103	46.0	62	63	101.2	1.8	10	●	2	
MPS1-0990-PC		2	91	21.4	44.6	45	89	1.6	10	●	2	
MPS1-0990-L8C		8	156	81.3	112	115	154	1.8	10	●	2	
MPS1-0990-L10C		10	176	100.8	131.8	135	174	1.8	10	□	2	
MPS1-0990-L12C		12	196	120.6	151.8	155	194	1.8	10	●	2	
MPS1-0990-L15C		15	226	150.3	181.8	185	224	1.8	10	●	2	
MPS1-0990-L20C		20	276	199.8	231.8	235	274	1.8	10	□	2	
MPS1-0990-L25C		25	326	249.3	281.8	285	324	1.8	10	□	2	
MPS1-0990-L30C		30	376	298.8	331.8	335	374	1.8	10	□	2	
MPS1-0990-L35C		35	425	348.3	381.8	384	423	1.8	10	□	2	

# MPS1

## MONOLITNÍ SK VRTÁK

Objednáací číslo	DC	(l/d)	OAL	LU	LCF	LH	LF	PL	DCON	DP1021	Typ
MPS1-1000S-DIN		3	89	31.8	47	49	87.2	1.8	10	□	4
MPS1-1000S-DIN-C		3	89	31.8	47	49	87.2	1.8	10	●	2
MPS1-1000L-DIN		5	103	45.8	62	63	101.2	1.8	10	□	4
MPS1-1000L-DIN-C		5	103	45.8	62	63	101.2	1.8	10	●	2
MPS1-1000-PC		2	91	21.6	44.6	45	89	1.6	10	●	2
MPS1-1000-L8C		8	156	82.1	112	115	154	1.8	10	●	2
MPS1-1000-L10C	10	10	176	101.8	131.8	135	174	1.8	10	●	2
MPS1-1000-L12C		12	196	121.8	151.8	155	194	1.8	10	●	2
MPS1-1000-L15C		15	226	151.8	181.8	185	224	1.8	10	●	2
MPS1-1000-L20C		20	276	201.8	231.8	235	274	1.8	10	●	2
MPS1-1000-L25C		25	326	251.8	281.8	285	324	1.8	10	●	2
MPS1-1000-L30C		30	376	301.8	331.8	335	374	1.8	10	●	2
MPS1-1000-L35C		35	425	351.8	381.8	384	423	1.8	10	□	2
MPS1-1005S-DIN		3	102	39.8	55	57	100.2	1.8	12	□	4
MPS1-1005S-DIN-C		3	102	39.8	55	57	100.2	1.8	12	●	2
MPS1-1005L-DIN	10.05	5	118	55.8	71	73	116.2	1.8	12	□	4
MPS1-1005L-DIN-C		5	118	55.8	71	73	116.2	1.8	12	●	2
MPS1-1010S-DIN		3	102	39.7	55	57	100.2	1.8	12	□	4
MPS1-1010S-DIN-C		3	102	39.7	55	57	100.2	1.8	12	●	2
MPS1-1010L-DIN		5	118	55.7	71	73	116.2	1.8	12	□	4
MPS1-1010L-DIN-C		5	118	55.7	71	73	116.2	1.8	12	●	2
MPS1-1010-PC		2	97	21.8	44.6	48	95	1.6	12	●	2
MPS1-1010-L8C	10.1	8	167	82.9	118	121	165	1.8	12	●	2
MPS1-1010-L10C		10	188	102.8	138.8	142	186	1.8	12	□	2
MPS1-1010-L12C		12	209	123	159.8	163	207	1.8	12	●	2
MPS1-1010-L15C		15	240	153.3	190.8	194	238	1.8	12	●	2
MPS1-1010-L20C		20	293	203.8	243.8	247	291	1.8	12	●	2
MPS1-1010-L25C		25	345	254.3	295.8	299	343	1.8	12	□	2
MPS1-1020S-DIN		3	102	39.6	55	57	100.1	1.9	12	□	4
MPS1-1020S-DIN-C		3	102	39.6	55	57	100.1	1.9	12	●	2
MPS1-1020L-DIN		5	118	55.6	71	73	116.1	1.9	12	□	4
MPS1-1020L-DIN-C		5	118	55.6	71	73	116.1	1.9	12	●	2
MPS1-1020-PC		2	96	22	44.6	47	95	1.6	12	●	2
MPS1-1020-L8C	10.2	8	167	83.7	118	121	165	1.9	12	●	2
MPS1-1020-L10C		10	187	103.9	138.9	141	186	1.9	12	□	2
MPS1-1020-L12C		12	208	124.3	159.9	162	207	1.9	12	●	2
MPS1-1020-L15C		15	239	154.9	190.9	193	238	1.9	12	●	2
MPS1-1020-L20C		20	292	205.9	243.9	246	291	1.9	12	●	2
MPS1-1020-L25C		25	344	256.9	295.9	298	343	1.9	12	□	2

# MPS1

## MONOLITNÍ SK VRTÁK

Objednáací číslo	DC	(l/d)	OAL	LU	LCF	LH	LF	PL	DCON	DP1021	Typ
MPS1-1030S-DIN	10.3	3	102	39.4	55	57	100.1	1.9	12	□	4
MPS1-1030S-DIN-C		3	102	39.4	55	57	100.1	1.9	12	●	2
MPS1-1030L-DIN		5	118	55.4	71	73	116.1	1.9	12	□	4
MPS1-1030L-DIN-C		5	118	55.4	71	73	116.1	1.9	12	●	2
MPS1-1030-PC		2	96	22.2	44.6	47	95	1.6	12	●	2
MPS1-1030-L8C		8	167	84.5	118	121	165	1.9	12	●	2
MPS1-1030-L10C		10	187	104.9	138.9	141	186	1.9	12	□	2
MPS1-1030-L12C		12	208	125.5	159.9	162	207	1.9	12	●	2
MPS1-1030-L15C		15	239	156.4	190.9	193	238	1.9	12	□	2
MPS1-1030-L20C		20	292	207.9	243.9	246	291	1.9	12	□	2
MPS1-1030-L25C		25	344	259.4	295.9	298	343	1.9	12	□	2
MPS1-1040S-DIN		10.4	3	102	39.3	55	57	100.1	1.9	12	□
MPS1-1040S-DIN-C	3		102	39.3	55	57	100.1	1.9	12	●	2
MPS1-1040L-DIN	5		118	55.3	71	73	116.1	1.9	12	□	4
MPS1-1040L-DIN-C	5		118	55.3	71	73	116.1	1.9	12	●	2
MPS1-1040-PC	2		96	22.4	44.6	47	95	1.6	12	●	2
MPS1-1040-L8C	8		167	85.4	118	121	165	1.9	12	●	2
MPS1-1040-L10C	10		187	105.9	138.9	141	186	1.9	12	□	2
MPS1-1040-L12C	12		208	126.7	159.9	162	207	1.9	12	●	2
MPS1-1040-L15C	15		239	157.9	190.9	193	238	1.9	12	□	2
MPS1-1040-L20C	20		292	209.9	243.9	246	291	1.9	12	□	2
MPS1-1040-L25C	25		344	261.9	295.9	298	343	1.9	12	□	2
MPS1-1050S-DIN	10.5		3	102	39.2	55	57	100.1	1.9	12	□
MPS1-1050S-DIN-C		3	102	39.2	55	57	100.1	1.9	12	●	2
MPS1-1050L-DIN		5	118	55.2	71	73	116.1	1.9	12	□	4
MPS1-1050L-DIN-C		5	118	55.2	71	73	116.1	1.9	12	●	2
MPS1-1050-PC		2	96	22.7	44.7	47	95	1.7	12	●	2
MPS1-1050-L8C		8	167	86.2	118	121	165	1.9	12	●	2
MPS1-1050-L10C		10	187	106.9	138.9	141	186	1.9	12	□	2
MPS1-1050-L12C		12	208	127.9	159.9	162	207	1.9	12	●	2
MPS1-1050-L15C		15	239	159.4	190.9	193	238	1.9	12	●	2
MPS1-1050-L20C		20	292	211.9	243.9	246	291	1.9	12	●	2
MPS1-1050-L25C		25	344	264.4	295.9	298	343	1.9	12	●	2
MPS1-1060S-DIN		10.6	3	102	39.0	55	57	100.1	1.9	12	□
MPS1-1060S-DIN-C	3		102	39.0	55	57	100.1	1.9	12	●	2
MPS1-1060L-DIN	5		118	55.0	71	73	116.1	1.9	12	□	4
MPS1-1060L-DIN-C	5		118	55.0	71	73	116.1	1.9	12	●	2
MPS1-1060-PC	2		96	22.9	48.7	49	95	1.7	12	□	2
MPS1-1060-L8C	8		172	87.0	123	126	170	1.9	12	●	2
MPS1-1060-L10C	10		193	107.9	144.9	147	192	1.9	12	□	2
MPS1-1060-L12C	12		215	129.1	166.9	169	214	1.9	12	□	2
MPS1-1060-L15C	15		248	160.9	199.9	202	247	1.9	12	□	2
MPS1-1060-L20C	20		303	213.9	254.9	257	302	1.9	12	□	2
MPS1-1060-L25C	25		358	266.9	309.9	312	357	1.9	12	□	2

# MPS1

## MONOLITNÍ SK VRTÁK

Objednáací číslo	DC	(l/d)	OAL	LU	LCF	LH	LF	PL	DCON	DP1021	Typ
MPS1-1070S-DIN	10.7	3	102	38.9	55	57	100.1	1.9	12	□	4
MPS1-1070S-DIN-C		3	102	38.9	55	57	100.1	1.9	12	●	2
MPS1-1070L-DIN		5	118	54.9	71	73	116.1	1.9	12	□	4
MPS1-1070L-DIN-C		5	118	54.9	71	73	116.1	1.9	12	●	2
MPS1-1070-PC		2	96	23.1	48.7	49	95	1.7	12	●	2
MPS1-1070-L8C		8	172	87.8	123	126	170	1.9	12	●	2
MPS1-1070-L10C		10	193	108.9	144.9	147	192	1.9	12	□	2
MPS1-1070-L12C		12	215	130.3	166.9	169	214	1.9	12	●	2
MPS1-1070-L15C		15	248	162.4	199.9	202	247	1.9	12	□	2
MPS1-1070-L20C		20	303	215.9	254.9	257	302	1.9	12	□	2
MPS1-1070-L25C		25	358	269.4	309.9	312	357	1.9	12	□	2
MPS1-1080S-DIN		10.8	3	102	38.8	55	57	100	2.0	12	□
MPS1-1080S-DIN-C	3		102	38.8	55	57	100	2.0	12	●	2
MPS1-1080L-DIN	5		118	54.8	71	73	116	2.0	12	□	4
MPS1-1080L-DIN-C	5		118	54.8	71	73	116	2.0	12	●	2
MPS1-1080-PC	2		96	23.3	48.7	49	95	1.7	12	●	2
MPS1-1080-L8C	8		172	88.6	123	126	170	2.0	12	●	2
MPS1-1080-L10C	10		193	110	145	147	192	2.0	12	□	2
MPS1-1080-L12C	12		215	131.6	167	169	214	2.0	12	●	2
MPS1-1080-L15C	15		248	164	200	202	247	2.0	12	□	2
MPS1-1080-L20C	20		303	218	255	257	302	2.0	12	□	2
MPS1-1080-L25C	25		358	272	310	312	357	2.0	12	□	2
MPS1-1090S-DIN	10.9		3	102	38.6	55	57	100	2.0	12	□
MPS1-1090S-DIN-C		3	102	38.6	55	57	100	2.0	12	●	2
MPS1-1090L-DIN		5	118	54.6	71	73	116	2.0	12	□	4
MPS1-1090L-DIN-C		5	118	54.6	71	73	116	2.0	12	●	2
MPS1-1090-PC		2	96	23.5	48.7	49	95	1.7	12	□	2
MPS1-1090-L8C		8	172	89.5	123	126	170	2.0	12	●	2
MPS1-1090-L10C		10	193	111	145	147	192	2.0	12	□	2
MPS1-1090-L12C		12	215	132.8	167	169	214	2.0	12	□	2
MPS1-1090-L15C		15	248	165.5	200	202	247	2.0	12	□	2
MPS1-1090-L20C		20	303	220	255	257	302	2.0	12	□	2
MPS1-1090-L25C		25	358	274.5	310	312	357	2.0	12	□	2
MPS1-1100S-DIN		11	3	102	38.5	55	57	100	2.0	12	□
MPS1-1100S-DIN-C	3		102	38.5	55	57	100	2.0	12	●	2
MPS1-1100L-DIN	5		118	54.5	71	73	116	2.0	12	□	4
MPS1-1100L-DIN-C	5		118	54.5	71	73	116	2.0	12	●	2
MPS1-1100-PC	2		96	23.7	48.7	49	95	1.7	12	●	2
MPS1-1100-L8C	8		172	90.3	123	126	170	2.0	12	●	2
MPS1-1100-L10C	10		194	112	145	148	192	2.0	12	□	2
MPS1-1100-L12C	12		216	134	167	170	214	2.0	12	●	2
MPS1-1100-L15C	15		249	167	200	203	247	2.0	12	●	2
MPS1-1100-L20C	20		304	222	255	258	302	2.0	12	●	2
MPS1-1100-L25C	25		359	277	310	313	357	2.0	12	●	2

# MPS1

## MONOLITNÍ SK VRTÁK

Objednáací číslo	DC	(l/d)	OAL	LU	LCF	LH	LF	PL	DCON	DP1021	Typ
MPS1-1110S-DIN		3	102	38.4	55	57	100	2.0	12	□	4
MPS1-1110S-DIN-C		3	102	38.4	55	57	100	2.0	12	●	2
MPS1-1110L-DIN		5	118	54.4	71	73	116	2.0	12	□	4
MPS1-1110L-DIN-C		5	118	54.4	71	73	116	2.0	12	●	2
MPS1-1110-PC		2	96	23.9	48.7	51	95	1.7	12	●	2
MPS1-1110-L8C	11.1	8	178	91.1	129	132	176	2.0	12	●	2
MPS1-1110-L10C		10	201	113	152	155	199	2.0	12	□	2
MPS1-1110-L12C		12	224	135.2	175	178	222	2.0	12	●	2
MPS1-1110-L15C		15	258	168.5	209	212	256	2.0	12	●	2
MPS1-1110-L20C		20	316	224	267	270	314	2.0	12	□	2
MPS1-1110-L25C		25	373	279.5	324	327	371	2.0	12	●	2
MPS1-1120S-DIN		3	102	38.2	55	57	100	2.0	12	□	4
MPS1-1120S-DIN-C		3	102	38.2	55	57	100	2.0	12	●	2
MPS1-1120L-DIN		5	118	54.2	71	73	116	2.0	12	□	4
MPS1-1120L-DIN-C		5	118	54.2	71	73	116	2.0	12	●	2
MPS1-1120-PC		2	96	24.2	48.8	51	95	1.8	12	●	2
MPS1-1120-L8C	11.2	8	178	91.9	129	132	176	2.0	12	●	2
MPS1-1120-L10C		10	201	114	152	155	199	2.0	12	□	2
MPS1-1120-L12C		12	224	136.4	175	178	222	2.0	12	□	2
MPS1-1120-L15C		15	258	170	209	212	256	2.0	12	●	2
MPS1-1120-L20C		20	316	226	267	270	314	2.0	12	□	2
MPS1-1120-L25C		25	373	282	324	327	371	2.0	12	□	2
MPS1-1130S-DIN		3	102	38.1	55	57	99.9	2.1	12	□	4
MPS1-1130S-DIN-C		3	102	38.1	55	57	99.9	2.1	12	●	2
MPS1-1130L-DIN		5	118	54.1	71	73	115.9	2.1	12	□	4
MPS1-1130L-DIN-C		5	118	54.1	71	73	115.9	2.1	12	●	2
MPS1-1130-PC		2	96	24.4	48.8	51	95	1.8	12	□	2
MPS1-1130-L8C	11.3	8	178	92.7	129	132	176	2.1	12	●	2
MPS1-1130-L10C		10	201	115.1	152.1	155	199	2.1	12	□	2
MPS1-1130-L12C		12	224	137.7	175.1	178	222	2.1	12	□	2
MPS1-1130-L15C		15	258	171.6	209.1	212	256	2.1	12	□	2
MPS1-1130-L20C		20	316	228.1	267.1	270	314	2.1	12	□	2
MPS1-1130-L25C		25	373	284.6	324.1	327	371	2.1	12	□	2
MPS1-1140S-DIN		3	102	38.0	55	57	99.9	2.1	12	□	4
MPS1-1140S-DIN-C		3	102	38.0	55	57	99.9	2.1	12	●	2
MPS1-1140L-DIN		5	118	54.0	71	73	115.9	2.1	12	□	4
MPS1-1140L-DIN-C		5	118	54.0	71	73	115.9	2.1	12	●	2
MPS1-1140-PC		2	96	24.6	48.8	51	95	1.8	12	□	2
MPS1-1140-L8C	11.4	8	178	93.6	129	132	176	2.1	12	●	2
MPS1-1140-L10C		10	201	116.1	152.1	155	199	2.1	12	□	2
MPS1-1140-L12C		12	224	138.9	175.1	178	222	2.1	12	□	2
MPS1-1140-L15C		15	258	173.1	209.1	212	256	2.1	12	□	2
MPS1-1140-L20C		20	316	230.1	267.1	270	314	2.1	12	□	2
MPS1-1140-L25C		25	373	287.1	324.1	327	371	2.1	12	□	2



# MPS1

## MONOLITNÍ SK VRTÁK

Objednáací číslo	DC	(l/d)	OAL	LU	LCF	LH	LF	PL	DCON	DP1021	Typ
MPS1-1150S-DIN		3	102	37.8	55	57	99.9	2.1	12	□	4
MPS1-1150S-DIN-C		3	102	37.8	55	57	99.9	2.1	12	●	2
MPS1-1150L-DIN		5	118	53.8	71	73	115.9	2.1	12	□	4
MPS1-1150L-DIN-C		5	118	53.8	71	73	115.9	2.1	12	●	2
MPS1-1150-PC		2	96	24.8	48.8	51	95	1.8	12	●	2
MPS1-1150-L8C	11.5	8	178	94.4	129	132	176	2.1	12	●	2
MPS1-1150-L10C		10	201	117.1	152.1	155	199	2.1	12	□	2
MPS1-1150-L12C		12	224	140.1	175.1	178	222	2.1	12	●	2
MPS1-1150-L15C		15	258	174.6	209.1	212	256	2.1	12	●	2
MPS1-1150-L20C		20	316	232.1	267.1	270	314	2.1	12	●	2
MPS1-1150-L25C		25	373	289.6	324.1	327	371	2.1	12	●	2
MPS1-1160S-DIN		3	102	37.7	55	57	99.9	2.1	12	□	4
MPS1-1160S-DIN-C		3	102	37.7	55	57	99.9	2.1	12	●	2
MPS1-1160L-DIN		5	118	53.7	71	73	115.9	2.1	12	□	4
MPS1-1160L-DIN-C		5	118	53.7	71	73	115.9	2.1	12	●	2
MPS1-1160-PC		2	96	25	48.8	48	95	1.8	12	□	2
MPS1-1160-L8C	11.6	8	183	95.2	134	137	181	2.1	12	●	2
MPS1-1160-L10C		10	207	118.1	158.1	161	205	2.1	12	□	2
MPS1-1160-L12C		12	231	141.3	182.1	185	229	2.1	12	□	2
MPS1-1160-L15C		15	267	176.1	218.1	221	265	2.1	12	□	2
MPS1-1160-L20C		20	327	234.1	278.1	281	325	2.1	12	□	2
MPS1-1160-L25C		25	387	292.1	338.1	341	385	2.1	12	□	2
MPS1-1170S-DIN		3	102	37.6	55	57	99.9	2.1	12	□	4
MPS1-1170S-DIN-C		3	102	37.6	55	57	99.9	2.1	12	●	2
MPS1-1170L-DIN		5	118	53.6	71	73	115.9	2.1	12	□	4
MPS1-1170L-DIN-C		5	118	53.6	71	73	115.9	2.1	12	●	2
MPS1-1170-PC		2	96	25.2	48.8	48	95	1.8	12	●	2
MPS1-1170-L8C	11.7	8	183	96.0	134	137	181	2.1	12	●	2
MPS1-1170-L10C		10	207	119.1	158.1	161	205	2.1	12	□	2
MPS1-1170-L12C		12	231	142.5	182.1	185	229	2.1	12	●	2
MPS1-1170-L15C		15	267	177.6	218.1	221	265	2.1	12	●	2
MPS1-1170-L20C		20	327	236.1	278.1	281	325	2.1	12	□	2
MPS1-1170-L25C		25	387	294.6	338.1	341	385	2.1	12	□	2
MPS1-1180S-DIN		3	102	37.4	55	57	99.9	2.1	12	□	4
MPS1-1180S-DIN-C		3	102	37.4	55	57	99.9	2.1	12	●	2
MPS1-1180L-DIN		5	118	53.4	71	73	115.9	2.1	12	□	4
MPS1-1180L-DIN-C		5	118	53.4	71	73	115.9	2.1	12	●	2
MPS1-1180-PC		2	96	25.5	48.9	48	95	1.9	12	●	2
MPS1-1180-L8C	11.8	8	183	96.8	134	137	181	2.1	12	●	2
MPS1-1180-L10C		10	207	120.1	158.1	161	205	2.1	12	□	2
MPS1-1180-L12C		12	231	143.7	182.1	185	229	2.1	12	●	2
MPS1-1180-L15C		15	267	179.1	218.1	221	265	2.1	12	●	2
MPS1-1180-L20C		20	327	238.1	278.1	281	325	2.1	12	□	2
MPS1-1180-L25C		25	387	297.1	338.1	341	385	2.1	12	□	2

# MPS1

## MONOLITNÍ SK VRTÁK

Objednáací číslo	DC	(l/d)	OAL	LU	LCF	LH	LF	PL	DCON	DP1021	Typ
MPS1-1190S-DIN	11.9	3	102	37.3	55	57	99.8	2.2	12	□	4
MPS1-1190S-DIN-C		3	102	37.3	55	57	99.8	2.2	12	●	2
MPS1-1190L-DIN		5	118	53.3	71	73	115.8	2.2	12	□	4
MPS1-1190L-DIN-C		5	118	53.3	71	73	115.8	2.2	12	●	2
MPS1-1190-PC		2	96	25.7	48.9	48	95	1.9	12	□	2
MPS1-1190-L8C		8	183	97.7	134	137	181	2.2	12	●	2
MPS1-1190-L10C		10	207	121.2	158.2	161	205	2.2	12	□	2
MPS1-1190-L12C		12	231	145	182.2	185	229	2.2	12	□	2
MPS1-1190-L15C		15	267	180.7	218.2	221	265	2.2	12	□	2
MPS1-1190-L20C		20	327	240.2	278.2	281	325	2.2	12	□	2
MPS1-1190-L25C		25	387	299.7	338.2	341	385	2.2	12	□	2
MPS1-1200S-DIN	12	3	102	37.2	55	57	99.8	2.2	12	□	4
MPS1-1200S-DIN-C		3	102	37.2	55	57	99.8	2.2	12	●	2
MPS1-1200L-DIN		5	118	53.2	71	73	115.8	2.2	12	□	4
MPS1-1200L-DIN-C		5	118	53.2	71	73	115.8	2.2	12	●	2
MPS1-1200-PC		2	96	25.9	48.9	48	95	1.9	12	●	2
MPS1-1200-L8C		8	183	98.5	134	137	181	2.2	12	●	2
MPS1-1200-L10C		10	207	122.2	158.2	161	205	2.2	12	□	2
MPS1-1200-L12C		12	231	146.2	182.2	185	229	2.2	12	●	2
MPS1-1200-L15C		15	267	182.2	218.2	221	265	2.2	12	●	2
MPS1-1200-L20C		20	327	242.2	278.2	281	325	2.2	12	●	2
MPS1-1200-L25C		25	387	302.2	338.2	341	385	2.2	12	●	2
MPS1-1205S-DIN	12.05	3	107	42.1	60	62	104.8	2.2	14	□	4
MPS1-1205S-DIN-C		3	107	42.1	60	62	104.8	2.2	14	●	2
MPS1-1205L-DIN		5	124	59.1	77	79	121.8	2.2	14	□	4
MPS1-1205L-DIN-C		5	124	59.1	77	79	121.8	2.2	14	●	2
MPS1-1210S-DIN	12.1	3	107	42.1	60	62	104.8	2.2	14	□	4
MPS1-1210S-DIN-C		3	107	42.1	60	62	104.8	2.2	14	●	2
MPS1-1210L-DIN		5	124	59.1	77	79	121.8	2.2	14	□	4
MPS1-1210L-DIN-C		5	124	59.1	77	79	121.8	2.2	14	●	2
MPS1-1210-PC		2	103	26.1	52.9	55	102	1.9	14	●	2
MPS1-1210-L8C		8	190	99.3	140	144	187	2.2	14	●	2
MPS1-1210-L10C		10	214	123.2	165.2	168	212	2.2	14	□	2
MPS1-1210-L12C		12	239	147.4	190.2	193	237	2.2	14	●	2
MPS1-1210-L15C		15	276	183.7	227.2	230	274	2.2	14	●	2
MPS1-1210-L20C		20	339	244.2	290.2	293	337	2.2	14	□	2
MPS1-1220S-DIN		12.2	3	107	41.9	60	62	104.8	2.2	14	□
MPS1-1220S-DIN-C	3		107	41.9	60	62	104.8	2.2	14	●	2
MPS1-1220L-DIN	5		124	58.9	77	79	121.8	2.2	14	□	4
MPS1-1220L-DIN-C	5		124	58.9	77	79	121.8	2.2	14	●	2
MPS1-1220-PC	2		103	26.3	52.9	55	102	1.9	14	●	2
MPS1-1220-L8C	8		190	100.1	140	144	187	2.2	14	●	2
MPS1-1220-L10C	10		214	124.2	165.2	168	212	2.2	14	□	2
MPS1-1220-L12C	12		239	148.6	190.2	193	237	2.2	14	●	2
MPS1-1220-L15C	15		276	185.2	227.2	230	274	2.2	14	●	2
MPS1-1220-L20C	20		339	246.2	290.2	293	337	2.2	14	□	2

# MPS1

## MONOLITNÍ SK VRTÁK

Objednáací číslo	DC	(l/d)	OAL	LU	LCF	LH	LF	PL	DCON	DP1021	Typ
MPS1-1230S-DIN	12.3	3	107	41.8	60	62	104.8	2.2	14	□	4
MPS1-1230S-DIN-C		3	107	41.8	60	62	104.8	2.2	14	●	2
MPS1-1230L-DIN		5	124	58.8	77	79	121.8	2.2	14	□	4
MPS1-1230L-DIN-C		5	124	58.8	77	79	121.8	2.2	14	●	2
MPS1-1230-PC		2	103	26.5	52.9	55	102	1.9	14	□	2
MPS1-1230-L8C		8	190	100.9	140	144	187	2.2	14	●	2
MPS1-1230-L10C		10	214	125.2	165.2	168	212	2.2	14	□	2
MPS1-1230-L12C		12	239	149.8	190.2	193	237	2.2	14	□	2
MPS1-1230-L15C		15	276	186.7	227.2	230	274	2.2	14	□	2
MPS1-1230-L20C		20	339	248.2	290.2	293	337	2.2	14	□	2
MPS1-1240S-DIN	12.4	3	107	41.7	60	62	104.7	2.3	14	□	4
MPS1-1240S-DIN-C		3	107	41.7	60	62	104.7	2.3	14	●	2
MPS1-1240L-DIN		5	124	58.7	77	79	121.7	2.3	14	□	4
MPS1-1240L-DIN-C		5	124	58.7	77	79	121.7	2.3	14	●	2
MPS1-1240-PC		2	103	26.8	53	55	102	2.0	14	□	2
MPS1-1240-L8C		8	190	101.8	140	144	187	2.3	14	●	2
MPS1-1240-L10C		10	214	126.3	165.3	168	212	2.3	14	□	2
MPS1-1240-L12C		12	239	151.1	190.3	193	237	2.3	14	□	2
MPS1-1240-L15C		15	276	188.3	227.3	230	274	2.3	14	□	2
MPS1-1240-L20C		20	339	250.3	290.3	293	337	2.3	14	□	2
MPS1-1250S-DIN	12.5	3	107	41.5	60	62	104.7	2.3	14	□	4
MPS1-1250S-DIN-C		3	107	41.5	60	62	104.7	2.3	14	●	2
MPS1-1250L-DIN		5	124	58.5	77	79	121.7	2.3	14	□	4
MPS1-1250L-DIN-C		5	124	58.5	77	79	121.7	2.3	14	●	2
MPS1-1250-PC		2	103	27	53	55	102	2.0	14	●	2
MPS1-1250-L8C		8	190	102.6	140	144	187	2.3	14	●	2
MPS1-1250-L10C		10	214	127.3	165.3	168	212	2.3	14	□	2
MPS1-1250-L12C		12	239	152.3	190.3	193	237	2.3	14	●	2
MPS1-1250-L15C		15	276	189.8	227.3	230	274	2.3	14	●	2
MPS1-1250-L20C		20	339	252.3	290.3	293	337	2.3	14	□	2
MPS1-1260S-DIN	12.6	3	107	41.4	60	62	104.7	2.3	14	□	4
MPS1-1260S-DIN-C		3	107	41.4	60	62	104.7	2.3	14	●	2
MPS1-1260L-DIN		5	124	58.4	77	79	121.7	2.3	14	□	4
MPS1-1260L-DIN-C		5	124	58.4	77	79	121.7	2.3	14	●	2
MPS1-1260-PC		2	103	27.2	53	54	102	2.0	14	□	2
MPS1-1260-L8C		8	195	103.4	145	149	192	2.3	14	●	2
MPS1-1260-L10C		10	220	128.3	171.3	174	218	2.3	14	□	2
MPS1-1260-L12C		12	246	153.5	197.3	200	244	2.3	14	□	2
MPS1-1260-L15C		15	285	191.3	236.3	239	283	2.3	14	□	2
MPS1-1260-L20C		20	350	254.3	301.3	304	348	2.3	14	□	2

# MPS1

## MONOLITNÍ SK VRTÁK

Objednáací číslo	DC	(l/d)	OAL	LU	LCF	LH	LF	PL	DCON	DP1021	Typ
MPS1-1270S-DIN	12.7	3	107	41.3	60	62	104.7	2.3	14	□	4
MPS1-1270S-DIN-C		3	107	41.3	60	62	104.7	2.3	14	●	2
MPS1-1270L-DIN		5	124	58.3	77	79	121.7	2.3	14	□	4
MPS1-1270L-DIN-C		5	124	58.3	77	79	121.7	2.3	14	●	2
MPS1-1270-PC		2	104	27.4	53	55	102	2.0	14	●	2
MPS1-1270-L8C		8	195	104.2	145	149	192	2.3	14	●	2
MPS1-1270-L10C		10	220	129.3	171.3	174	218	2.3	14	□	2
MPS1-1270-L12C		12	246	154.7	197.3	200	244	2.3	14	●	2
MPS1-1270-L15C		15	285	192.8	236.3	239	283	2.3	14	□	2
MPS1-1270-L20C		20	350	256.3	301.3	304	348	2.3	14	□	2
MPS1-1280S-DIN	12.8	3	107	41.1	60	62	104.7	2.3	14	□	4
MPS1-1280S-DIN-C		3	107	41.1	60	62	104.7	2.3	14	●	2
MPS1-1280L-DIN		5	124	58.1	77	79	121.7	2.3	14	□	4
MPS1-1280L-DIN-C		5	124	58.1	77	79	121.7	2.3	14	●	2
MPS1-1280-PC		2	104	27.6	53	55	102	2.0	14	●	2
MPS1-1280-L8C		8	195	105.1	145	149	192	2.3	14	●	2
MPS1-1280-L10C		10	220	130.3	171.3	174	218	2.3	14	□	2
MPS1-1280-L12C		12	246	155.9	197.3	200	244	2.3	14	●	2
MPS1-1280-L15C		15	285	194.3	236.3	239	283	2.3	14	□	2
MPS1-1280-L20C		20	350	258.3	301.3	304	348	2.3	14	□	2
MPS1-1290S-DIN	12.9	3	107	41.0	60	62	104.7	2.3	14	□	4
MPS1-1290S-DIN-C		3	107	41.0	60	62	104.7	2.3	14	●	2
MPS1-1290L-DIN		5	124	58.0	77	79	121.7	2.3	14	□	4
MPS1-1290L-DIN-C		5	124	58.0	77	79	121.7	2.3	14	●	2
MPS1-1290-PC		2	104	27.8	53	55	102	2.0	14	□	2
MPS1-1290-L8C		8	195	105.9	145	149	192	2.3	14	●	2
MPS1-1290-L10C		10	220	131.3	171.3	174	218	2.3	14	□	2
MPS1-1290-L12C		12	246	157.1	197.3	200	244	2.3	14	□	2
MPS1-1290-L15C		15	285	195.8	236.3	239	283	2.3	14	□	2
MPS1-1290-L20C		20	350	260.3	301.3	304	348	2.3	14	□	2
MPS1-1300S-DIN	13	3	107	40.9	60	62	104.6	2.4	14	□	4
MPS1-1300S-DIN-C		3	107	40.9	60	62	104.6	2.4	14	●	2
MPS1-1300L-DIN		5	124	57.9	77	79	121.6	2.4	14	□	4
MPS1-1300L-DIN-C		5	124	57.9	77	79	121.6	2.4	14	●	2
MPS1-1300-PC		2	104	28	53	55	102	2.0	14	●	2
MPS1-1300-L8C		8	195	106.7	145	149	192	2.4	14	●	2
MPS1-1300-L10C		10	220	132.4	171.4	174	218	2.4	14	□	2
MPS1-1300-L12C		12	246	158.4	197.4	200	244	2.4	14	●	2
MPS1-1300-L15C		15	285	197.4	236.4	239	283	2.4	14	●	2
MPS1-1300-L20C		20	350	262.4	301.4	304	348	2.4	14	●	2

# MPS1

## MONOLITNÍ SK VRTÁK

Objednáací číslo	DC	(l/d)	OAL	LU	LCF	LH	LF	PL	DCON	DP1021	Typ
MPS1-1310S-DIN	13.1	3	107	40.7	60	62	104.6	2.4	14	□	4
MPS1-1310S-DIN-C		3	107	40.7	60	62	104.6	2.4	14	●	2
MPS1-1310L-DIN		5	124	57.7	77	79	121.6	2.4	14	□	4
MPS1-1310L-DIN-C		5	124	57.7	77	79	121.6	2.4	14	●	2
MPS1-1310-PC		2	109	28.3	56.1	59	107	2.1	14	□	2
MPS1-1310-L8C		8	201	107.5	151	155	198	2.4	14	●	2
MPS1-1310-L10C		10	227	133.4	178.4	181	225	2.4	14	□	2
MPS1-1310-L12C		12	254	159.6	205.4	208	252	2.4	14	□	2
MPS1-1310-L15C		15	294	198.9	245.4	248	292	2.4	14	□	2
MPS1-1310-L20C		20	362	264.4	313.4	316	360	2.4	14	□	2
MPS1-1320S-DIN	13.2	3	107	40.6	60	62	104.6	2.4	14	□	4
MPS1-1320S-DIN-C		3	107	40.6	60	62	104.6	2.4	14	●	2
MPS1-1320L-DIN		5	124	57.6	77	79	121.6	2.4	14	□	4
MPS1-1320L-DIN-C		5	124	57.6	77	79	121.6	2.4	14	●	2
MPS1-1320-PC		2	109	28.5	56.1	59	107	2.1	14	●	2
MPS1-1320-L8C		8	201	108.3	151	155	198	2.4	14	●	2
MPS1-1320-L10C		10	227	134.4	178.4	181	225	2.4	14	□	2
MPS1-1320-L12C		12	254	160.8	205.4	208	252	2.4	14	●	2
MPS1-1320-L15C		15	294	200.4	245.4	248	292	2.4	14	□	2
MPS1-1320-L20C		20	362	266.4	313.4	316	360	2.4	14	□	2
MPS1-1330S-DIN	13.3	3	107	40.5	60	62	104.6	2.4	14	□	4
MPS1-1330S-DIN-C		3	107	40.5	60	62	104.6	2.4	14	●	2
MPS1-1330L-DIN		5	124	57.5	77	79	121.6	2.4	14	□	4
MPS1-1330L-DIN-C		5	124	57.5	77	79	121.6	2.4	14	●	2
MPS1-1330-PC		2	109	28.7	56.1	59	107	2.1	14	□	2
MPS1-1330-L8C		8	201	109.2	151	155	198	2.4	14	●	2
MPS1-1330-L10C		10	227	135.4	178.4	181	225	2.4	14	□	2
MPS1-1330-L12C		12	254	162	205.4	208	252	2.4	14	□	2
MPS1-1330-L15C		15	294	201.9	245.4	248	292	2.4	14	□	2
MPS1-1330-L20C		20	362	268.4	313.4	316	360	2.4	14	□	2
MPS1-1340S-DIN	13.4	3	107	40.3	60	62	104.6	2.4	14	□	4
MPS1-1340S-DIN-C		3	107	40.3	60	62	104.6	2.4	14	●	2
MPS1-1340L-DIN		5	124	57.3	77	79	121.6	2.4	14	□	4
MPS1-1340L-DIN-C		5	124	57.3	77	79	121.6	2.4	14	●	2
MPS1-1340-PC		2	109	28.9	56.1	59	107	2.1	14	□	2
MPS1-1340-L8C		8	201	110.0	151	155	198	2.4	14	●	2
MPS1-1340-L10C		10	227	136.4	178.4	181	225	2.4	14	□	2
MPS1-1340-L12C		12	254	163.2	205.4	208	252	2.4	14	□	2
MPS1-1340-L15C		15	294	203.4	245.4	248	292	2.4	14	□	2
MPS1-1340-L20C		20	362	270.4	313.4	316	360	2.4	14	□	2

# MPS1

## MONOLITNÍ SK VRTÁK

Objednáací číslo	DC	(l/d)	OAL	LU	LCF	LH	LF	PL	DCON	DP1021	Typ
MPS1-1350S-DIN	13.5	3	107	40.2	60	62	104.5	2.5	14	□	4
MPS1-1350S-DIN-C		3	107	40.2	60	62	104.5	2.5	14	●	2
MPS1-1350L-DIN		5	124	57.2	77	79	121.5	2.5	14	□	4
MPS1-1350L-DIN-C		5	124	57.2	77	79	121.5	2.5	14	●	2
MPS1-1350-PC		2	109	29.1	56.1	59	107	2.1	14	●	2
MPS1-1350-L8C		8	201	110.8	151	155	198	2.5	14	●	2
MPS1-1350-L10C		10	227	137.5	178.5	181	225	2.5	14	□	2
MPS1-1350-L12C		12	254	164.5	205.5	208	252	2.5	14	●	2
MPS1-1350-L15C		15	294	205	245.5	248	292	2.5	14	□	2
MPS1-1350-L20C		20	362	272.5	313.5	316	360	2.5	14	□	2
MPS1-1360S-DIN	13.6	3	107	40.1	60	62	104.5	2.5	14	□	4
MPS1-1360S-DIN-C		3	107	40.1	60	62	104.5	2.5	14	●	2
MPS1-1360L-DIN		5	124	57.1	77	79	121.5	2.5	14	□	4
MPS1-1360L-DIN-C		5	124	57.1	77	79	121.5	2.5	14	●	2
MPS1-1360-PC		2	109	29.3	56.1	56	107	2.1	14	□	2
MPS1-1360-L8C		8	206	111.6	156	160	203	2.5	14	●	2
MPS1-1360-L10C		10	233	138.5	184.5	187	231	2.5	14	□	2
MPS1-1360-L12C		12	261	165.7	212.5	215	259	2.5	14	□	2
MPS1-1360-L15C		15	303	206.5	254.5	257	301	2.5	14	□	2
MPS1-1360-L20C		20	373	274.5	324.5	327	371	2.5	14	□	2
MPS1-1370S-DIN	13.7	3	107	39.9	60	62	104.5	2.5	14	□	4
MPS1-1370S-DIN-C		3	107	39.9	60	62	104.5	2.5	14	●	2
MPS1-1370L-DIN		5	124	56.9	77	79	121.5	2.5	14	□	4
MPS1-1370L-DIN-C		5	124	56.9	77	79	121.5	2.5	14	●	2
MPS1-1370-PC		2	109	29.6	56.2	56	107	2.2	14	□	2
MPS1-1370-L8C		8	206	112.4	156	160	203	2.5	14	●	2
MPS1-1370-L10C		10	233	139.5	184.5	187	231	2.5	14	□	2
MPS1-1370-L12C		12	261	166.9	212.5	215	259	2.5	14	□	2
MPS1-1370-L15C		15	303	208	254.5	257	301	2.5	14	□	2
MPS1-1370-L20C		20	373	276.5	324.5	327	371	2.5	14	□	2
MPS1-1380S-DIN	13.8	3	107	39.8	60	62	104.5	2.5	14	□	4
MPS1-1380S-DIN-C		3	107	39.8	60	62	104.5	2.5	14	●	2
MPS1-1380L-DIN		5	124	56.8	77	79	121.5	2.5	14	□	4
MPS1-1380L-DIN-C		5	124	56.8	77	79	121.5	2.5	14	●	2
MPS1-1380-PC		2	109	29.8	56.2	56	107	2.2	14	□	2
MPS1-1380-L8C		8	206	113.3	156	160	203	2.5	14	●	2
MPS1-1380-L10C		10	233	140.5	184.5	187	231	2.5	14	□	2
MPS1-1380-L12C		12	261	168.1	212.5	215	259	2.5	14	□	2
MPS1-1380-L15C		15	303	209.5	254.5	257	301	2.5	14	□	2
MPS1-1380-L20C		20	373	278.5	324.5	327	371	2.5	14	□	2

# MPS1

## MONOLITNÍ SK VRTÁK

Objednáací číslo	DC	(l/d)	OAL	LU	LCF	LH	LF	PL	DCON	DP1021	Typ
MPS1-1390S-DIN	13.9	3	107	39.7	60	62	104.5	2.5	14	□	4
MPS1-1390S-DIN-C		3	107	39.7	60	62	104.5	2.5	14	●	2
MPS1-1390L-DIN		5	124	56.7	77	79	121.5	2.5	14	□	4
MPS1-1390L-DIN-C		5	124	56.7	77	79	121.5	2.5	14	●	2
MPS1-1390-PC		2	109	30	56.2	56	107	2.2	14	□	2
MPS1-1390-L8C		8	206	114.1	156	160	203	2.5	14	●	2
MPS1-1390-L10C		10	233	141.5	184.5	187	231	2.5	14	□	2
MPS1-1390-L12C		12	261	169.3	212.5	215	259	2.5	14	□	2
MPS1-1390-L15C		15	303	211	254.5	257	301	2.5	14	□	2
MPS1-1390-L20C		20	373	280.5	324.5	327	371	2.5	14	□	2
MPS1-1400S-DIN	14	3	107	39.5	60	62	104.5	2.5	14	□	4
MPS1-1400S-DIN-C		3	107	39.5	60	62	104.5	2.5	14	●	2
MPS1-1400L-DIN		5	124	56.5	77	79	121.5	2.5	14	□	4
MPS1-1400L-DIN-C		5	124	56.5	77	79	121.5	2.5	14	●	2
MPS1-1400-PC		2	109	30.2	56.2	56	107	2.2	14	●	2
MPS1-1400-L8C		8	206	114.9	156	160	203	2.5	14	●	2
MPS1-1400-L10C		10	233	142.5	184.5	187	231	2.5	14	□	2
MPS1-1400-L12C		12	261	170.5	212.5	215	259	2.5	14	●	2
MPS1-1400-L15C		15	303	212.5	254.5	257	301	2.5	14	●	2
MPS1-1400-L20C		20	373	282.5	324.5	327	371	2.5	14	●	2
MPS1-1420S-DIN	14.2	3	114	43.3	64	66	111.4	2.6	16	□	4
MPS1-1420S-DIN-C		3	114	43.3	64	66	111.4	2.6	16	●	2
MPS1-1420L-DIN		5	132	61.3	82	84	129.4	2.6	16	□	4
MPS1-1420L-DIN-C		5	132	61.3	82	84	129.4	2.6	16	●	2
MPS1-1450S-DIN	14.5	3	114	42.9	64	66	111.4	2.6	16	□	4
MPS1-1450S-DIN-C		3	114	42.9	64	66	111.4	2.6	16	●	2
MPS1-1450L-DIN		5	132	60.9	82	84	129.4	2.6	16	□	4
MPS1-1450L-DIN-C		5	132	60.9	82	84	129.4	2.6	16	●	2
MPS1-1500S-DIN	15	3	114	42.2	64	66	111.3	2.7	16	□	4
MPS1-1500S-DIN-C		3	114	42.2	64	66	111.3	2.7	16	●	2
MPS1-1500L-DIN		5	132	60.2	82	84	129.3	2.7	16	□	4
MPS1-1500L-DIN-C		5	132	60.2	82	84	129.3	2.7	16	●	2
MPS1-1550S-DIN	15.5	3	115	41.6	65	67	112.2	2.8	16	□	4
MPS1-1550S-DIN-C		3	115	41.6	65	67	112.2	2.8	16	●	2
MPS1-1550L-DIN		5	133	59.6	83	85	130.2	2.8	16	□	4
MPS1-1550L-DIN-C		5	133	59.6	83	85	130.2	2.8	16	●	2
MPS1-1600S-DIN	16	3	115	40.9	65	67	112.1	2.9	16	□	4
MPS1-1600S-DIN-C		3	115	40.9	65	67	112.1	2.9	16	●	2
MPS1-1600L-DIN		5	133	58.9	83	85	130.1	2.9	16	□	4
MPS1-1600L-DIN-C		5	133	58.9	83	85	130.1	2.9	16	●	2
MPS1-1650S-DIN	16.5	3	123	48.3	73	75	120	3.0	18	□	4
MPS1-1650S-DIN-C		3	123	48.3	73	75	120	3.0	18	●	2
MPS1-1650L-DIN		5	143	68.3	93	95	140	3.0	18	□	4
MPS1-1650L-DIN-C		5	143	68.3	93	95	140	3.0	18	●	2
MPS1-1700S-DIN	17	3	123	47.6	73	75	119.9	3.1	18	□	4
MPS1-1700S-DIN-C		3	123	47.6	73	75	119.9	3.1	18	●	2
MPS1-1700L-DIN		5	143	67.6	93	95	139.9	3.1	18	□	4
MPS1-1700L-DIN-C		5	143	67.6	93	95	139.9	3.1	18	●	2

# MPS1

## MONOLITNÍ SK VRTÁK

Objednáací číslo	DC	(l/d)	OAL	LU	LCF	LH	LF	PL	DCON	DP1021	Typ
MPS1-1750S-DIN	17.5	3	123	46.9	73	75	119.8	3.2	18	□	4
MPS1-1750S-DIN-C		3	123	46.9	73	75	119.8	3.2	18	●	2
MPS1-1750L-DIN		5	143	66.9	93	95	139.8	3.2	18	□	4
MPS1-1750L-DIN-C		5	143	66.9	93	95	139.8	3.2	18	●	2
MPS1-1800S-DIN	18	3	123	46.3	73	75	119.7	3.3	18	□	4
MPS1-1800S-DIN-C		3	123	46.3	73	75	119.7	3.3	18	●	2
MPS1-1800L-DIN		5	143	66.3	93	95	139.7	3.3	18	□	4
MPS1-1800L-DIN-C		5	143	66.3	93	95	139.7	3.3	18	●	2
MPS1-1850S-DIN	18.5	3	131	51.6	79	81	127.6	3.4	20	□	4
MPS1-1850S-DIN-C		3	131	51.6	79	81	127.6	3.4	20	●	2
MPS1-1850L-DIN		5	153	73.6	101	103	149.6	3.4	20	□	4
MPS1-1850L-DIN-C		5	153	73.6	101	103	149.6	3.4	20	●	2
MPS1-1900S-DIN	19	3	131	51.0	79	81	127.5	3.5	20	□	4
MPS1-1900S-DIN-C		3	131	51.0	79	81	127.5	3.5	20	●	2
MPS1-1900L-DIN		5	153	73.0	101	103	149.5	3.5	20	□	4
MPS1-1900L-DIN-C		5	153	73.0	101	103	149.5	3.5	20	●	2
MPS1-1950S-DIN	19.5	3	131	50.3	79	81	127.5	3.5	20	□	4
MPS1-1950S-DIN-C		3	131	50.3	79	81	127.5	3.5	20	●	2
MPS1-1950L-DIN		5	153	72.3	101	103	149.5	3.5	20	□	4
MPS1-1950L-DIN-C		5	153	72.3	101	103	149.5	3.5	20	●	2
MPS1-2000S-DIN	20	3	131	49.6	79	81	127.4	3.6	20	□	4
MPS1-2000S-DIN-C		3	131	49.6	79	81	127.4	3.6	20	●	2
MPS1-2000L-DIN		5	153	71.6	101	103	149.4	3.6	20	□	4
MPS1-2000L-DIN-C		5	153	71.6	101	103	149.4	3.6	20	●	2





# MPS1

## DOPORUČENÉ ŘEZNÉ PODMÍNKY

Materiál	Vlastnosti	DC	L x DC	Vc	f
Ocel	<180HB	3	3-8	100 ( 60-150)	0.15 (0.10-0.20)
			10-25	90 ( 40-110)	0.17 (0.10-0.24)
			30-40	75 ( 40- 95)	0.14 (0.08-0.19)
		4	3-8	120 ( 70-170)	0.19 (0.12-0.25)
			10-25	90 ( 40-110)	0.20 (0.12-0.30)
			30-40	75 ( 40- 95)	0.16 (0.10-0.24)
		5	3-8	130 ( 80-190)	0.23 (0.15-0.30)
			10-25	90 ( 40-110)	0.25 (0.15-0.35)
			30-40	75 ( 40- 95)	0.20 (0.12-0.28)
		6	3-8	140 ( 90-210)	0.27 (0.18-0.35)
			10-25	110 ( 70-120)	0.27 (0.17-0.37)
			30-40	90 ( 40-110)	0.22 (0.14-0.30)
		8	3-8	160 (100-240)	0.30 (0.20-0.40)
			10-25	110 ( 70-120)	0.30 (0.20-0.40)
			30-40	90 ( 40-110)	0.24 (0.16-0.32)
		10	3-8	170 (100-250)	0.33 (0.20-0.45)
			10-25	110 ( 70-120)	0.32 (0.22-0.42)
			30-40	90 ( 40-110)	0.26 (0.18-0.34)
		12	3-8	180 (100-250)	0.35 (0.20-0.50)
			10-25	130 ( 90-150)	0.34 (0.24-0.44)
			30-40	105 ( 55-125)	0.27 (0.19-0.35)
16	3-8	180 (100-250)	0.38 (0.20-0.55)		
	10-25	130 ( 90-150)	0.36 (0.26-0.46)		
20	3-8	180 (100-250)	0.40 (0.20-0.60)		
Nelegované oceli, Legované oceli	180-250HB	3	3-8	90 ( 60-140)	0.15 (0.10-0.19)
			10-25	90 ( 40-110)	0.17 (0.10-0.24)
			30-40	75 ( 40- 85)	0.14 (0.08-0.19)
		4	3-8	100 ( 70-160)	0.18 (0.12-0.24)
			10-25	90 ( 40-110)	0.20 (0.12-0.30)
			30-40	75 ( 40- 85)	0.16 (0.10-0.24)
		5	3-8	110 ( 80-180)	0.22 (0.15-0.29)
			10-25	90 ( 40-110)	0.25 (0.15-0.35)
			30-40	75 ( 40- 85)	0.20 (0.12-0.28)
		6	3-8	120 ( 90-190)	0.26 (0.18-0.33)
			10-25	100 ( 60-110)	0.24 (0.15-0.33)
			30-40	80 ( 40- 90)	0.22 (0.14-0.30)
		8	3-8	140 (100-220)	0.29 (0.20-0.38)
			10-25	100 ( 60-110)	0.30 (0.20-0.40)
			30-40	80 ( 40- 90)	0.24 (0.16-0.32)
		10	3-8	150 (100-230)	0.32 (0.20-0.43)
			10-25	100 ( 60-110)	0.32 (0.22-0.42)
			30-40	80 ( 40- 90)	0.26 (0.18-0.34)
		12	3-8	160 (100-230)	0.34 (0.20-0.48)
			10-25	120 ( 80-140)	0.34 (0.24-0.44)
			30-40	95 ( 55-105)	0.27 (0.19-0.35)
		16	3-8	160 (100-230)	0.36 (0.20-0.52)
			10-25	120 ( 80-140)	0.36 (0.26-0.46)
		20	3-8	160 (100-230)	0.39 (0.20-0.57)

# MPS1

Materiál	Vlastnosti	DC	L x DC	Vc	f
P Nelegované oceli, Legované oceli	280-350 HB	3	3-8	80 ( 50-110)	0.12 (0.10-0.14)
			10-25	80 ( 40- 90)	0.15 (0.09-0.22)
			30-40	65 ( 40- 75)	0.15 (0.07-0.18)
		4	3-8	90 ( 60-120)	0.15 (0.12-0.18)
			10-25	80 ( 40- 90)	0.18 (0.11-0.27)
			30-40	65 ( 40- 75)	0.18 (0.09-0.22)
		5	3-8	90 ( 70-140)	0.19 (0.15-0.22)
			10-25	80 ( 40- 90)	0.22 (0.14-0.32)
			30-40	65 ( 40- 75)	0.22 (0.11-0.26)
		6	3-8	100 ( 80-150)	0.22 (0.18-0.25)
			10-25	90 ( 40-110)	0.24 (0.15-0.33)
			30-40	75 ( 40- 85)	0.24 (0.12-0.26)
		8	3-8	120 ( 90-170)	0.24 (0.20-0.27)
			10-25	90 ( 40-110)	0.27 (0.18-0.36)
			30-40	75 ( 40- 85)	0.27 (0.14-0.29)
		10	3-8	130 ( 90-180)	0.25 (0.20-0.30)
			10-25	90 ( 40-110)	0.29 (0.20-0.38)
			30-40	75 ( 40- 95)	0.29 (0.16-0.30)
		12	3-8	140 ( 90-180)	0.27 (0.20-0.34)
			10-25	100 ( 60-110)	0.30 (0.22-0.40)
30-40	80 ( 40-100)		0.30 (0.18-0.32)		
16	3-8	140 ( 90-180)	0.28 (0.20-0.36)		
	10-25	100 ( 60-110)	0.32 (0.23-0.41)		
20	3-8	140 ( 90-180)	0.30 (0.20-0.40)		
M Korozivzdorné oceli		3	3-8	40 ( 20- 50)	0.08 (0.06-0.12)
			10-25	40 ( 20- 60)	0.07 (0.05-0.09)
			30-40	30 ( 20- 50)	0.06 (0.04-0.07)
		4	3-8	40 ( 30- 50)	0.09 (0.07-0.13)
			10-25	40 ( 20- 60)	0.08 (0.06-0.10)
			30-40	30 ( 20- 50)	0.06 (0.05-0.08)
		5	3-8	40 ( 30- 50)	0.11 (0.08-0.16)
			10-25	40 ( 20- 60)	0.10 (0.07-0.12)
			30-40	30 ( 20- 50)	0.08 (0.06-0.10)
		6	3-8	50 ( 40- 70)	0.14 (0.11-0.18)
			10-25	50 ( 20- 60)	0.12 (0.08-0.16)
			30-40	40 ( 20- 60)	0.10 (0.06-0.13)
		8	3-8	50 ( 40- 70)	0.15 (0.12-0.20)
			10-25	50 ( 20- 60)	0.14 (0.10-0.17)
			30-40	40 ( 20- 50)	0.11 (0.08-0.14)
		10	3-8	50 ( 40- 70)	0.16 (0.12-0.22)
			10-25	50 ( 20- 60)	0.15 (0.12-0.18)
			30-40	40 ( 20- 50)	0.12 (0.10-0.14)
		12	3-8	50 ( 40- 70)	0.18 (0.14-0.24)
			10-25	60 ( 25- 65)	0.17 (0.14-0.19)
			30-40	50 ( 20- 60)	0.14 (0.11-0.15)
		16	3-8	50 ( 40- 70)	0.19 (0.15-0.26)
			10-25	60 ( 25- 65)	0.17 (0.14-0.19)
		20	3-8	50 ( 40- 70)	0.21 (0.16-0.28)

# MPS1

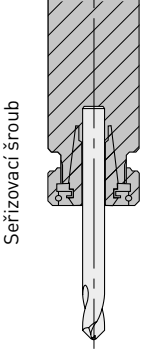
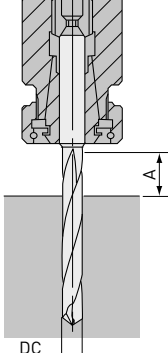
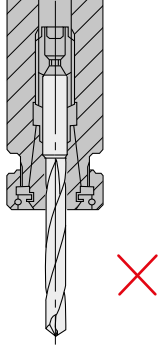
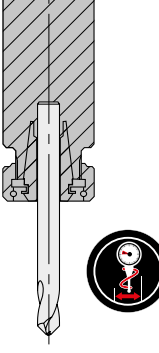
Materiál	Vlastnosti	DC	L x DC	Vc	f
K Litiny	≤ 350 MPa	3	3-8	90 ( 60-100)	0.15 (0.10-0.20)
			10-25	90 ( 40-110)	0.19 (0.11-0.26)
			30-40	75 ( 45- 95)	0.15 (0.09-0.21)
		4	3-8	100 ( 70-110)	0.21 (0.12-0.30)
			10-25	90 ( 40-110)	0.22 (0.13-0.33)
			30-40	75 ( 45- 95)	0.18 (0.10-0.26)
		5	3-8	110 ( 80-130)	0.25 (0.15-0.35)
			10-25	90 ( 40-110)	0.28 (0.17-0.39)
			30-40	75 ( 45- 95)	0.22 (0.13-0.31)
		6	3-8	120 ( 90-140)	0.29 (0.18-0.40)
			10-25	100 ( 60-110)	0.30 (0.19-0.41)
			30-40	90 ( 60-110)	0.24 (0.15-0.33)
		8	3-8	140 (100-160)	0.33 (0.20-0.45)
			10-25	100 ( 60-110)	0.33 (0.22-0.44)
			30-40	90 ( 60-100)	0.26 (0.18-0.35)
		10	3-8	150 (100-170)	0.35 (0.20-0.50)
			10-25	100 ( 60-110)	0.35 (0.24-0.46)
			30-40	90 ( 60-100)	0.28 (0.19-0.37)
		12	3-8	160 (100-170)	0.40 (0.20-0.60)
			10-25	120 ( 90-140)	0.37 (0.26-0.48)
			30-40	105 ( 65-115)	0.30 (0.21-0.38)
16	3-8	160 (100-170)	0.43 (0.20-0.65)		
	10-25	120 ( 90-140)	0.40 (0.29-0.48)		
20	3-8	160 (100-170)	0.45 (0.20-0.70)		
K Tvárné litiny	≤ 450 MPa	3	3-8	80 ( 50- 90)	0.12 (0.08-0.16)
			10-25	90 ( 40-110)	0.17 (0.10-0.24)
			30-40	30 ( 20- 50)	0.14 (0.08-0.19)
		4	3-8	90 ( 60-100)	0.17 (0.10-0.24)
			10-25	90 ( 40-110)	0.20 (0.12-0.30)
			30-40	30 ( 20- 50)	0.16 (0.10-0.24)
		5	3-8	90 ( 70-120)	0.21 (0.14-0.28)
			10-25	90 ( 40-110)	0.25 (0.15-0.35)
			30-40	30 ( 20- 50)	0.20 (0.12-0.28)
		6	3-8	100 ( 80-130)	0.25 (0.16-0.34)
			10-25	100 ( 60-110)	0.27 (0.17-0.37)
			30-40	40 ( 30- 60)	0.22 (0.14-0.30)
		8	3-8	120 ( 90-150)	0.28 (0.18-0.38)
			10-25	100 ( 60-110)	0.30 (0.20-0.40)
			30-40	40 ( 30- 60)	0.24 (0.16-0.32)
		10	3-8	130 ( 90-160)	0.29 (0.18-0.40)
			10-25	100 ( 60-110)	0.32 (0.22-0.42)
			30-40	40 ( 30- 60)	0.26 (0.18-0.34)
		12	3-8	140 ( 90-160)	0.31 (0.18-0.44)
			10-25	120 ( 90-140)	0.34 (0.24-0.44)
			30-40	50 ( 40- 70)	0.27 (0.19-0.35)
16	3-8	140 ( 90-160)	0.33 (0.18-0.48)		
	10-25	120 ( 90-140)	0.36 (0.26-0.46)		
20	3-8	140 ( 90-160)	0.35 (0.18-0.52)		

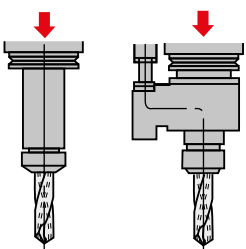
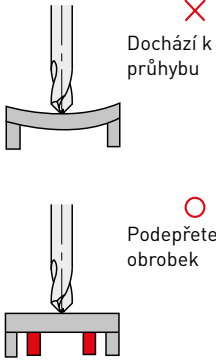
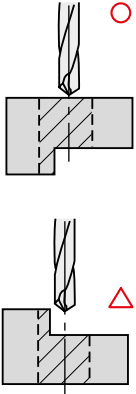
# MPS1

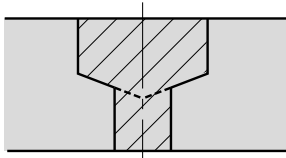
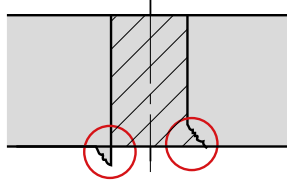
Materiál	Vlastnosti	DC	L x DC	Vc	f
K Tvárné litiny	≤ 800 MPa	3	3-8	60 ( 40- 80)	0.09 (0.06-0.12)
		4	3-8	70 ( 50- 90)	0.13 (0.08-0.18)
		5	3-8	70 ( 60-100)	0.17 (0.12-0.22)
		6	3-8	80 ( 70-110)	0.20 (0.14-0.26)
		8	3-8	100 ( 80-130)	0.23 (0.16-0.30)
		10	3-8	110 ( 80-140)	0.24 (0.16-0.32)
		12	3-8	110 ( 80-140)	0.25 (0.16-0.34)
		16	3-8	110 ( 80-140)	0.27 (0.16-0.38)
		20	3-8	110 ( 80-140)	0.28 (0.16-0.40)

# MPS1

## SMĚRNICE PRO POUŽITÍ

UPNUTÍ VRTÁKU	DĚLKA VRTÁKU	NASTAVENÍ VRTÁKU	MONTÁŽNÍ TOLERANCE
 <p>Seřizovací šroub</p>			
Kleština zaručuje spolehlivé upnutí vrtáku.	$A \geq DC \times 1.5$	Neupínejte v oblasti drážek.	Obvodové házení $\leq 0.03$ mm

TYP S VNITŘNÍM PŘÍVODEM ŘEZ. KAP.	MANIPULACE S ŘEZNOU KAPALINOU	TENKÉ OBROBKY	PŘERUŠOVANÝ ŘEZ
<p>Přívod ř. k. vřetenem stroje      Stroj s rotujícím přívodem ř. k.</p>  <p>Přibližný tlak řezné kapaliny: 0,5–1 MPa (&lt;math&gt;\phi 5:2-3\text{ MPa}&lt;/math&gt;).</p>	<ol style="list-style-type: none"> <li>Malé částice třísky mohou u vrtáků malého průměru ucpat kanálky pro přívod řezné kapaliny. Kvůli prevenci proto vždy používejte jemné filtry.</li> <li>Na olejových kapkách staré řezné kapaliny jsou zachyceny částice nečistot a prachu, čímž zpomalují její průtok. Proto je doporučena pravidelná výměna řezné kapaliny.</li> </ol>	 <p>Dochází k průhybu</p> <p>Podpřete obrobek</p>	<p><b>Jeden postup</b></p> <ol style="list-style-type: none"> <li>Snižte posuv při vrtání přerušované části</li> </ol> <p>Vyžaduje předchozí obrobení</p> <ol style="list-style-type: none"> <li>Před vrtáním zarovnejte čelo čelní frézou.</li> </ol> 

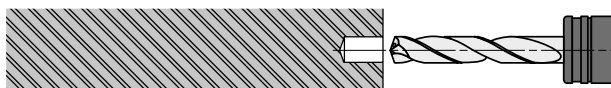
ODSTUPŇOVANÉ OTVORY	TVORBA OTŘEPŮ A VYDROLOVÁNÍ OBROBKU
 <ol style="list-style-type: none"> <li>Rozdělte na dvě operace.</li> <li>Vrtejte větší otvor jako první.</li> <li>Na objednávku dodáváme nástroje pro obrábění válcových a kuželových zahloubení.</li> </ol>	 <ol style="list-style-type: none"> <li>Na konci otvoru snižte rychlost posuvu o 50 %.</li> <li>Srazte hranu pod úhlem 45°.</li> <li>Změňte úhel špičky vrtáku.</li> </ol>

# MPS1

## NÁVOD K POUŽITÍ VRTÁKŮ DLOUHÉHO TYPU

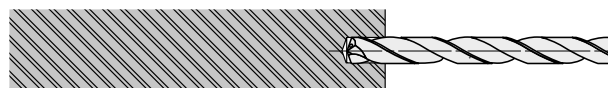
### VRTÁNÍ SLEPÝCH DĚR

#### 1. Vrtání vodící díry



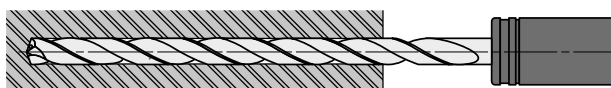
1. Použijte vrták s větším (plošším) úhlem špičky, než mají vrtáky zvlášť dlouhého typu. Doporučeny jsou vrtáky Mitsubishi MPS1 (PC).
2. Zajistěte vyvrtání vysoce přesné vodící díry.
3. Vrtaná hloubka: Přibližně 1DC nebo větší.  
(Hloubku vodící díry přizpůsobte délce vrtáku zvlášť dlouhého typu.)

#### 2. Počáteční záběr s dlouhým vrtákem



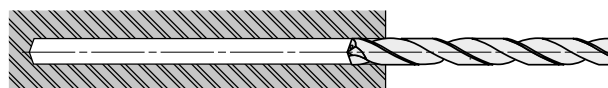
1. Do vodící díry vstupte při nízkých otáčkách.  
(Řezná rychlost 20–30 m/min, posuv 0,2–0,3 mm/ot)
2. Vrták dlouhého typu zastavte 1–3 mm před dnem vodící díry.

#### 3. Vrtání hluboké díry



1. Začněte vrtat při řezné rychlosti a posuvu, které jsou doporučeny pro nepřerušovaný (plynulý) posuv.

#### 4. Vyjetí vrtáku



1. Po vyvrtání snižte řeznou rychlost 1–2 mm před dnem díry.  
(Řezná rychlost asi 20–30 m/min)
2. Vyjeďte s vrtákem na začátek vodící díry posuvovou rychlostí 3000 mm/min.
3. Ústí díry opusťte při řezné rychlosti 20–30 m/min a posuvu 0,2–0,3 mm/ot.

### VRTÁNÍ A PROVRTÁVÁNÍ V NEPRAVIDELNÝCH NEBO ŠIKMÝCH PLOCHÁCH

#### 1. Válcové čelní zahlubování



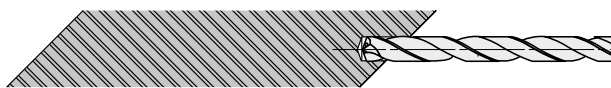
1. Vyfrézujte v nepravidelné ploše pomocí čelní nebo drážkovací frézy umožňující válcové čelní zahlubování rovinnou plochu. Průměr zahloubení musí být stejný jako průměr požadovaného vývrtu.

#### 2. Vrtání vodící díry



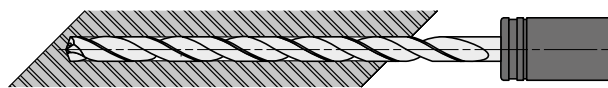
1. Použijte vrták s větším (plošším) úhlem špičky, než mají vrtáky zvlášť dlouhého typu. Doporučeny jsou vrtáky Mitsubishi MPS1 (PC).
2. Zajistěte vyvrtání vysoce přesné vodící díry.
3. Vrtaná hloubka: Přibližně 1DC nebo větší. (Hloubku vodící díry přizpůsobte délce vrtáku zvlášť dlouhého typu.)

#### 3. Počáteční záběr s dlouhým vrtákem



1. Do vodící díry vstupte při nízkých otáčkách.  
(Řezná rychlost 20–30 m/min, posuv 0,2–0,3 mm/ot)
2. Vrták dlouhého typu zastavte 1–3 mm před dnem vodící díry.

#### 4. Vrtání hluboké díry



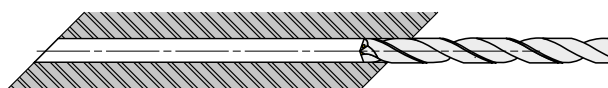
1. Začněte vrtat při řezné rychlosti a posuvu, které jsou doporučeny pro nepřerušovaný (plynulý) posuv.
2. Posouvejte jako obvykle, než se dostanete skrz.

#### 5. Konec průchozí díry



1. Při výstupu z obrobku může dojít k vylovení břitu vrtáku.
2. Doporučený posuv 0,05–0,1 mm/ot.

#### 6. Vyjetí vrtáku



1. Vyjeďte s vrtákem na začátek vodící díry posuvovou rychlostí 3000 mm/min.
2. Ústí díry opusťte při řezné rychlosti 20–30 m/min a posuvu 0,2–0,3 mm/ot.













**GERMANY**

MMC HARTMETALL GMBH  
Comeniusstr. 2 . 40670 Meerbusch  
Phone +49 2159 91890 . Fax +49 2159 918966  
Email admin@mmchg.de

**U.K.**

MMC HARDMETAL U.K. LTD.  
Mitsubishi House . Galena Close . Tamworth . Staffs. B77 4AS  
Phone +44 1827 312312 . Fax +44 1827 312314  
Email sales@mitsubishicarbide.co.uk

**SPAIN**

mitsubishi MATERIALS ESPAÑA, S.A.  
Calle Emperador 2 . 46136 Museros/Valencia  
Phone +34 96 1441711 . Fax +34 96 1443786  
Email comercial@mmevalencia.es

**FRANCE**

MMC METAL FRANCE S.A.R.L.  
6, Rue Jacques Monod . 91400 Orsay  
Phone +33 1 69 35 53 53 . Fax +33 1 69 35 53 50  
Email mmfsales@mmc-metal-france.fr

**POLAND**

MMC HARDMETAL POLAND SP. Z O.O  
Al. Armii Krajowej 61 . 50-541 Wrocław  
Phone +48 71335 1620 . Fax +48 71335 1621  
Email sales@mitsubishicarbide.com.pl

**RUSSIA**

MMC HARDMETAL 000 LTD.  
Electrozavodskaya St. 24 . build. 3 . Moscow . 107023  
Phone +7 495 725 58 85 . Fax +7 495 981 39 79  
Email info@mmc-carbide.ru

**ITALY**

MMC ITALIA S.R.L.  
Via Montefeltro 6/A . 20156 Milano  
Phone +39 0293 77031 . Fax +39 0293 589093  
Email info@mmc-italia.it

**TURKEY**

MMC HARTMETALL GMBH ALMANYA - İZMİR MERKEZ ŞUBESİ  
Adalet Mahallesi Anadolu Caddesi No: 41-1 . 15001 35580 Bayraklı /İzmir  
Phone +90 232 5015000 . Fax +90 232 5015007  
Email info@mmchg.com.tr

**[www.mitsubishicarbide.com](http://www.mitsubishicarbide.com) | [www.mmc-hardmetal.com](http://www.mmc-hardmetal.com)**

DISTRIBUCE:

┌

┐

└

┘